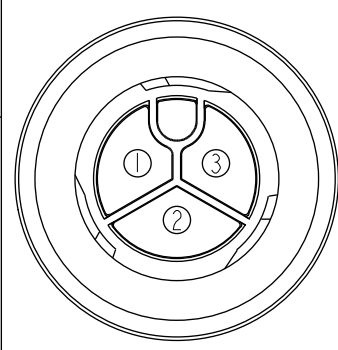
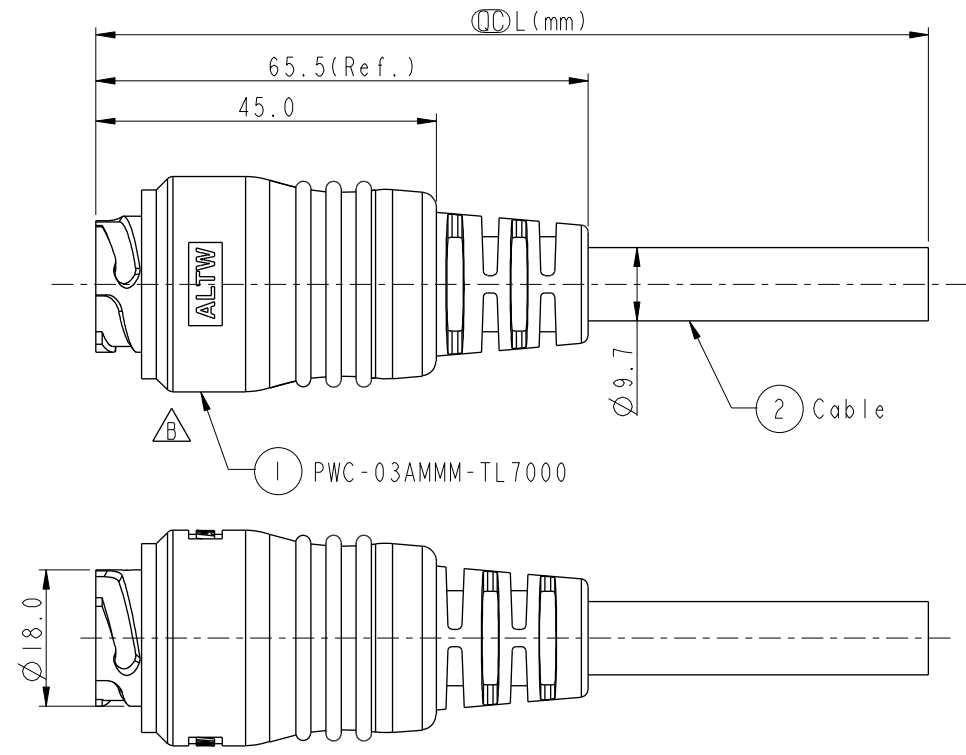
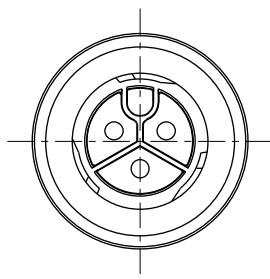


THIS DOCUMENT IS SUBJECT TO CHANGE WITHOUT NOTICE. IT IS CONFIDENTIAL AND A PROPERTY OF Amphenol LTW. DISCLOSURE TO THIRD PARTY HAS TO BE AUTHORIZED BY Amphenol LTW.

REV.	ECN NO.	DATE	SIGN	DESCRIPTION
A		2012/11/30	Tao-Cheng	Change Rev.01 To Rev.A
B	LEN1770087~90	2017/06/27	Ruru	Change Logo

ALTW
CONFIDENTIAL
2017-06-27
R&D DEPT.

ALTW
DCC. DEPT.
CONFIDENTIAL
2017.07.06
ISSUED



Pin Assignment
Front View

Pin	Wire Color	Wire Size	Color
3	White	(14AWG)	白
2	Green	(14AWG)	綠
1	Black	(14AWG)	黑

Pin Out

PWC-03AMMM-TL7BXX

XX:01~99Meters
01:01Meter
02:02Meters
:
99:99Meters
Cable Length(L):01~99Meters

- Note:
- * \varnothing Important Dimension To Check
 - * Waterproof Rate: IP67 (Mated)
 - * Connector: Nylon+GF, Black
 - * Male Pin: Brass, Gold Flash
 - * Cable: TC-ER 14AWG*3C
PVC Jacket, OD=9.7mm, Black
 - * Cable Length Tolerance: 01M:±40mm
02M~05M:±60mm
06M~10M:±100mm
11M~30M:±200mm
31M~99M:±500mm

UNIT:mm		TITLE Power Molding 3Pin M Conn M Pin		<h1>Amphenol LTW</h1> 安費諾亮泰企業股份有限公司	ITEM NO	DRAWN BY Ruru	DATE 2017-06-27
		TOLERANCE .X ±0.25 .XX ±0.1 .XXX ±0.05 ANGLES ±1°	SCALE 1:1 SIZE A4 SHEET 1 OF 1		REV. B WC-REV. A.4 \varnothing : Inspection item	DWG NO PWC-03AMMM-TL7BXX	CHECKED BY Rita
				CUSTOMER ALTW	APPROVED BY Max	DATE 2017-06-27	FMW10702-01-02A1