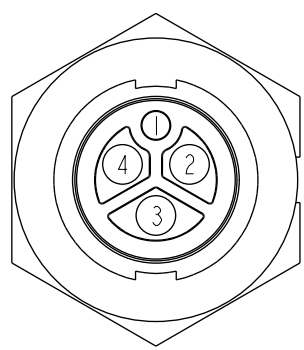
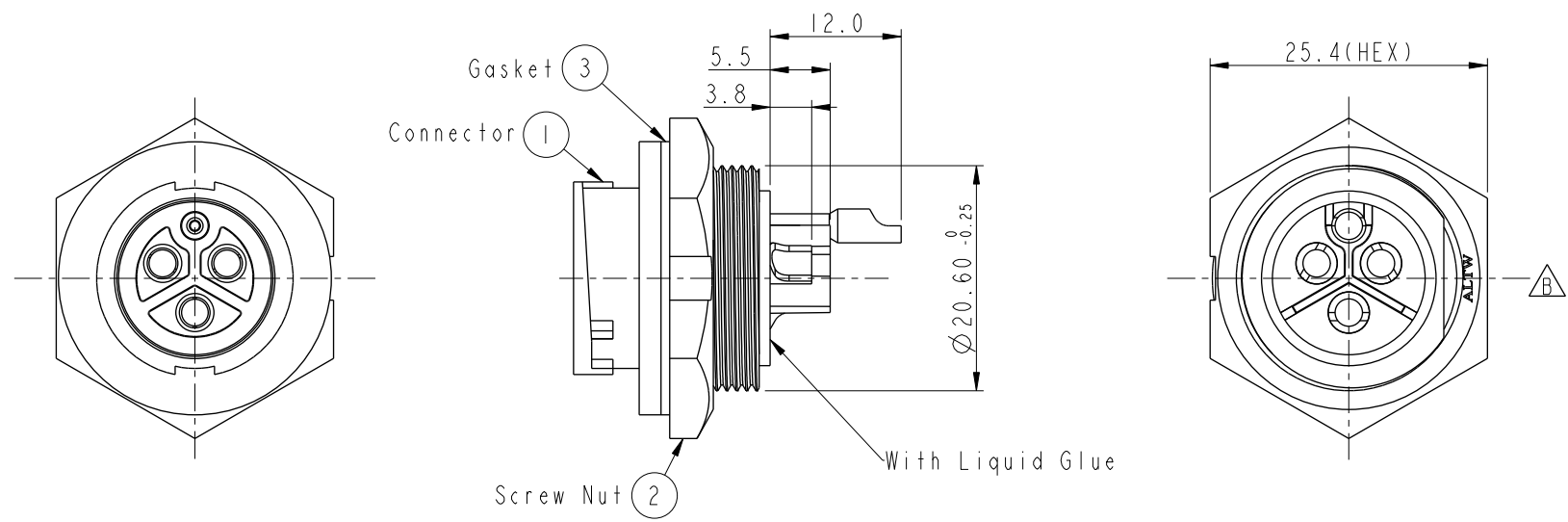
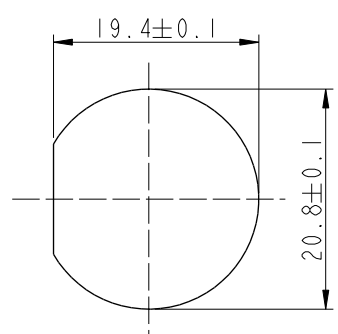


THIS DOCUMENT IS SUBJECT TO CHANGE WITHOUT NOTICE. IT IS CONFIDENTIAL AND A PROPERTY OF AMPHENOL LTW. DISCLOSURE TO THIRD PARTY HAS TO BE AUTHORIZED BY AMPHENOL LTW.

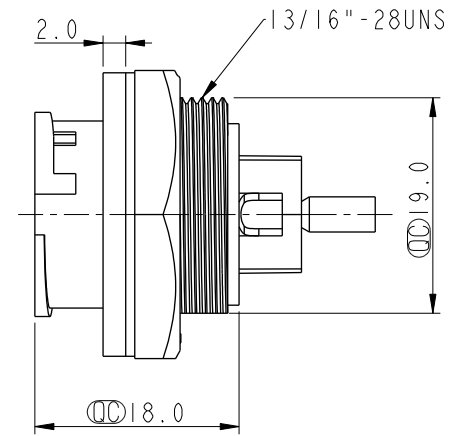
REV.	ECN NO.	DATE	SIGN	DESCRIPTION
B	C200524	2020/04/21	Vicky	△B*6



Pin Assignments
Front View



Recommended
Panel Cut-Out



- Note:
- * ⌀ Important Dimension To Check.
 - △B* Waterproof Rate: IP67, Unmated
 - △B* Connector: Thermoplastic, Black
 - * Female Pin: Copper Alloy, Gold Plated
 - △B* Screw Nut: Thermoplastic, Black
 - △B* Gasket: Rubber, Gray
 - * Maximum Panel Thickness: 4.5mm

UNIT:mm		
TOLERANCE	.X ±0.25	
.XX ±0.1		
.XXX ±0.05		
ANGLES	±1°	

TITLE PWR, 20+2A, 04P, REAR FASTENED M, F, SOLDER, 2LOCK			
SCALE 3:2	SIZE A4	SHEET 1 OF 1	
REV. B	WC-REV. A.3	QC: Inspection item	

Amphenol LTW
安費諾亮泰企業股份有限公司

ITEM NO. PWCU-04RMFS-LC7001	DRAWN BY Enson Chen	DATE 2009-10-01
DWG NO. PWCU-04RMFS-LC7001	CHECKED BY Tarry	DATE 2009-10-01
CUSTOMER ALTW	APPROVED BY Victor	DATE 2009-10-01