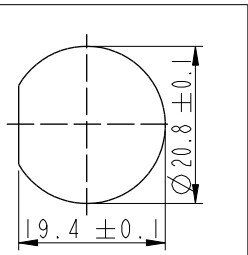
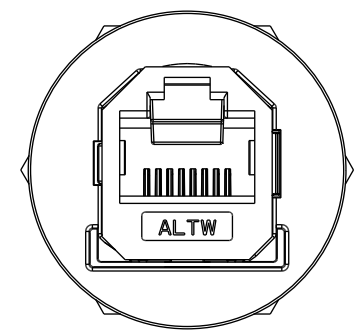
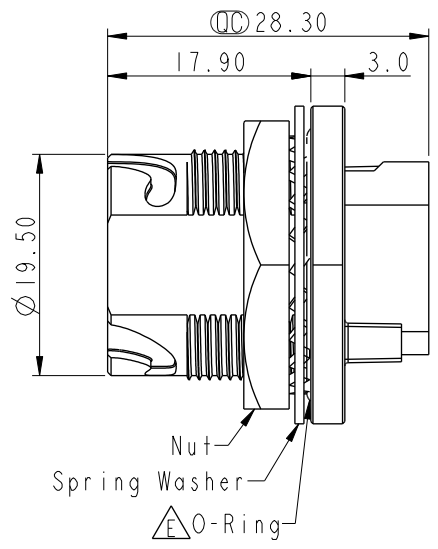
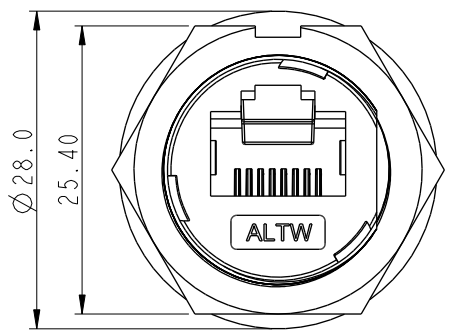
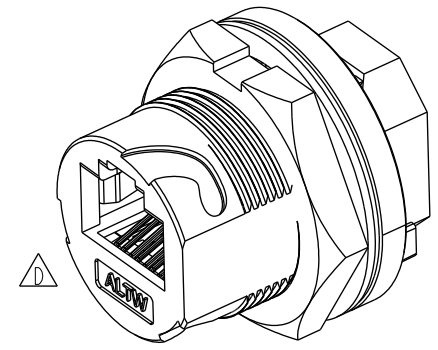
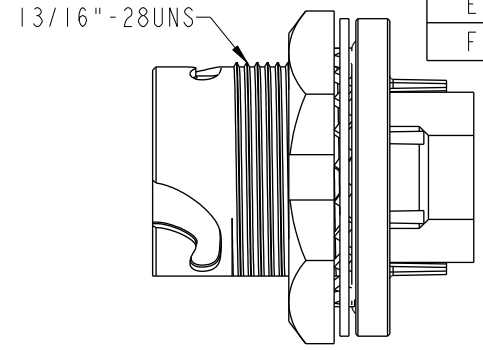


THIS DOCUMENT IS SUBJECT TO CHANGE WITHOUT NOTICE. IT IS CONFIDENTIAL AND A PROPERTY OF Amphenol LTW. DISCLOSURE TO THIRD PARTY HAS TO BE AUTHORIZED BY Amphenol LTW.

REV.	ECN NO.	DATE	SIGN	DESCRIPTION
D	C201852	2020/11/25	Nan_Su	$\triangle D$ X2
E	C220039	2022/01/07	Nan_Su	$\triangle E$ XI
F	C220801	2022/06/07	Vicky	$\triangle F$ XI



Recommended Panel Cut-Out

- $\triangle B$ $\triangle E$ Note:
- * RoHS Compliant
 - * $\text{\textcircled{C}}$ Important dimension
 - * Waterproof rate: IPX7, mated
 - * Connector
 - Housing: Metal, RJ45 jack, shielded
 - * Nut: Metal
 - * Spring Washer: Metal
 - $\triangle C$ * O-Ring: Rubber, Gray_Black
 - * Use with waterproof cap or dust cap
 - Panel thickness max: 3.0mm
 - $\triangle B$ * Use without waterproof cap or dust cap
 - Panel thickness max: 4.2mm
 - * Nut is packed separately in pe bag

UNIT: mm	TITLE		
	RJ, C METAL, C6A SHLD		
	FRONT FASTENED, F, PNL JACK S, 3LOCK		
	$\triangle D$		
TOLERANCE	SCALE	SIZE	SHEET OF
.X ±0.25	3:2	A4	1 OF 1
.XX ±0.1	REV.	WC-REV.	$\text{\textcircled{C}}$: Inspection item
.XXX ±0.05	F	.0	
ANGLES ±1°			

Amphenol LTW
安費諾亮泰企業股份有限公司

ITEM NO	DRAWN BY	DATE
RCM-6APFFH-TCM7001	JC Chen	2019-04-16
DWG NO	CHECKED BY	DATE
RCM-6APFFH-TCM7001	Li Feng	2019-04-16
CUSTOMER	APPROVED BY	DATE
ALTW	Jerry	2019-04-16