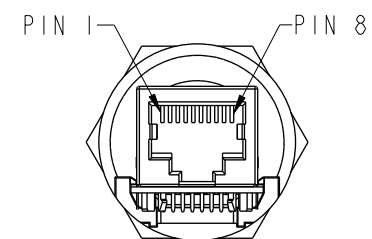
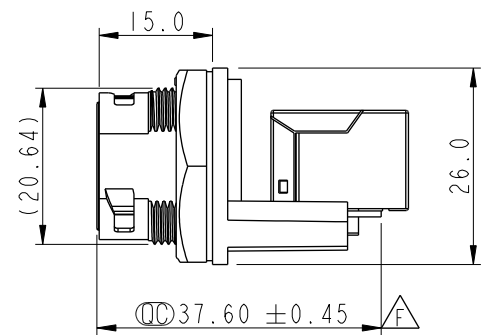
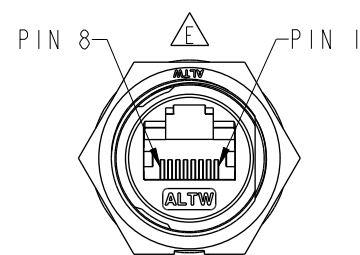
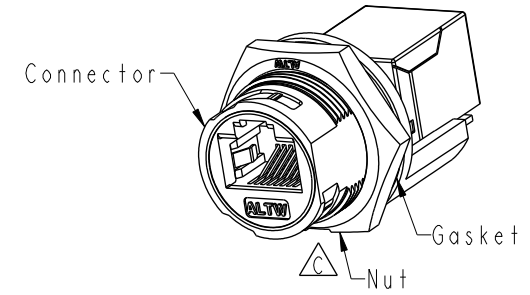
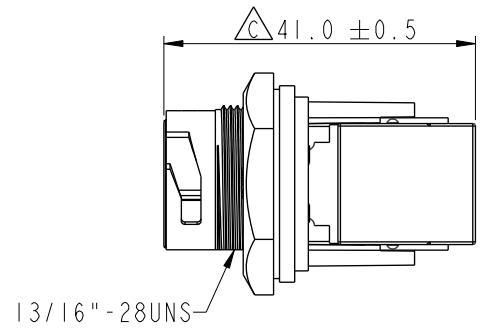
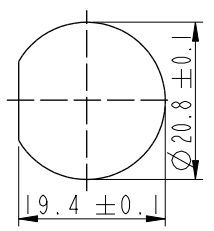


THIS DOCUMENT IS SUBJECT TO CHANGE WITHOUT NOTICE. IT IS CONFIDENTIAL AND A PROPERTY OF AMPHENOL LTW. DISCLOSURE TO THIRD PARTY HAS TO BE AUTHORIZED BY AMPHENOL LTW.

REV.	ECN NO.	DATE	SIGN	DESCRIPTION
E	C200524	2020/04/22	Vicky	△E X2
F	C201309	2020/08/29	Fu	△F XI
G	C220799	2022/05/25	Vicky	△G XI



- △D △G Note:**
- \* RoHS Compliant
  - \* **∅** Important dimension
  - \* Waterproof rate: IPX7, unmated
  - \* Connector Housing: Thermoplastic, Black, RJ45 jack, shielded
  - \* Nut: Thermoplastic, Black
  - △B** \* Gasket: Rubber, Gray
  - \* Use with waterproof cap or dust cap
  - Panel thickness max: 3.0mm
  - △B** \* Use without waterproof cap or dust cap
  - Panel thickness max: 4.2mm
  - \* Gasket and nut are packed separately in pe bag



Recommended Panel Cut-Out

UNIT: mm		TITLE		<b>Amphenol LTW</b> 安費諾亮泰企業股份有限公司	ITEM NO	DRAWN BY	DATE
		RJ, C PLASTIC, C5E SHLD FRONT FASTENED, F, PNL JACK S, 3LOCK			RCP-5SPFFH-TCU7001	Ruru	2019-03-15
TOLERANCE		SCALE	SIZE		DWG NO	CHECKED BY	DATE
.X ±0.25		1:1	A4		RCP-5SPFFH-TCU7001	Rita	2019-03-15
.XX ±0.1		REV.	WC-REV.		CUSTOMER	APPROVED BY	DATE
.XXX ±0.05		G	B.3		ALTW	Max	2019-03-15
ANGLES ±1°		∅: Inspection item					