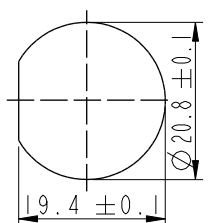
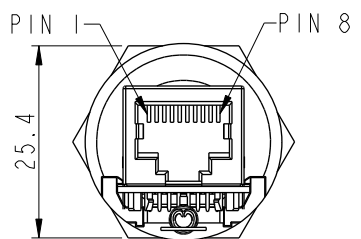
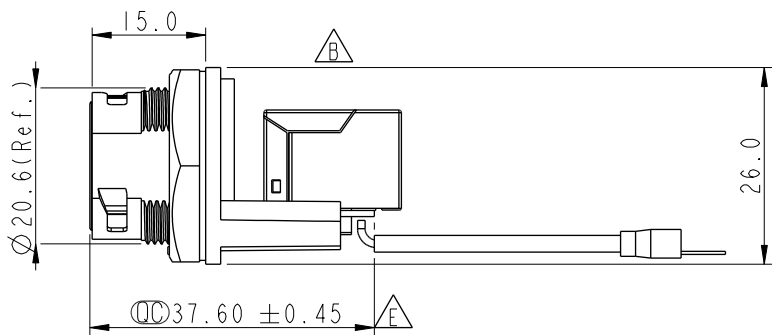
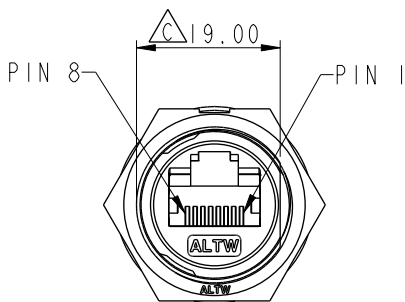
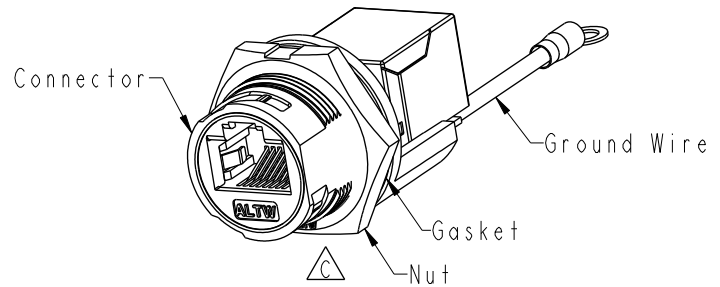
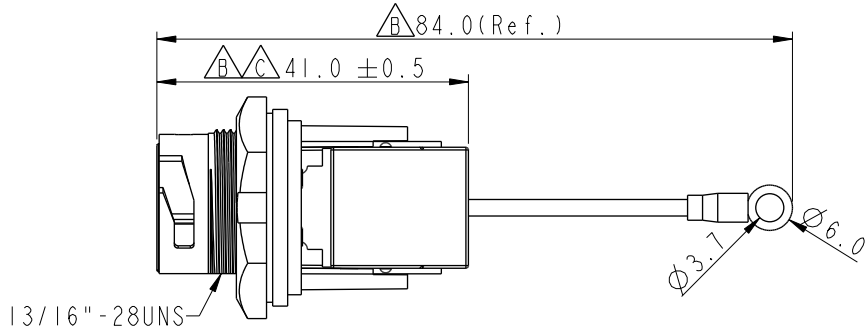


REV.	ECN NO.	DATE	SIGN	DESCRIPTION
D	C190405	2019/03/18	Ruru	Modify Note
E	C201309	2020/08/29	Fu	△E X1
F	C220799	2022/05/25	Vicky	△E X2



Recommended Panel Cut-Out

- △D △E Note:
- * RoHS Compliant
 - * Ⓞ Important dimension
 - * Waterproof rate: IPX7, unmated
 - * Connector
 - Housing: Thermoplastic, Black, RJ45 jack, shielded
 - * Nut: Thermoplastic, Black
 - △B * Gasket: Rubber, Gray
 - * Use with waterproof cap or dust cap
 - Panel thickness max: 3.0mm
 - △B * Use without waterproof cap or dust cap
 - Panel thickness max: 4.2mm
 - * Gasket and nut are assembled on connectors
 - * Wire: UL1015, 20AWG, Green

UNIT: mm			TITLE	△F
TOLERANCE	.X ±0.25	.XX ±0.1	RJ, C PLASTIC, C5E SHLD FRONT FASTENED, F, PNL JACK S, 3LOCK	
.XXX ±0.05	ANGLES ±1°	SCALE 1:1	SIZE A4	SHEET 1 OF 1
		REV. F	WC-REV. B.4	Ⓞ: Inspection item

Amphenol LTW
安費諾亮泰企業股份有限公司

ITEM NO	RCP-5SPFFH-TCU7002	DRAWN BY	Ruru	DATE	2019-03-18
DWG NO	RCP-5SPFFH-TCU7002	CHECKED BY	Rita	DATE	2019-03-18
CUSTOMER	ALTW	APPROVED BY	Max	DATE	2019-03-18

THIS DOCUMENT IS SUBJECT TO CHANGE WITHOUT NOTICE. IT IS CONFIDENTIAL AND A PROPERTY OF Amphenol LTW. DISCLOSURE TO THIRD PARTY HAS TO BE AUTHORIZED BY Amphenol LTW.