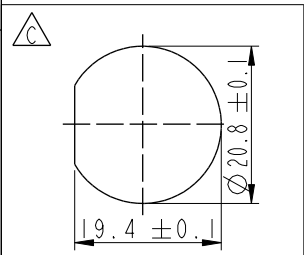
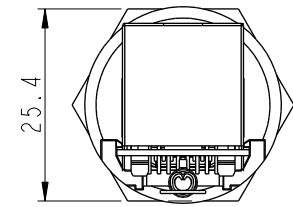
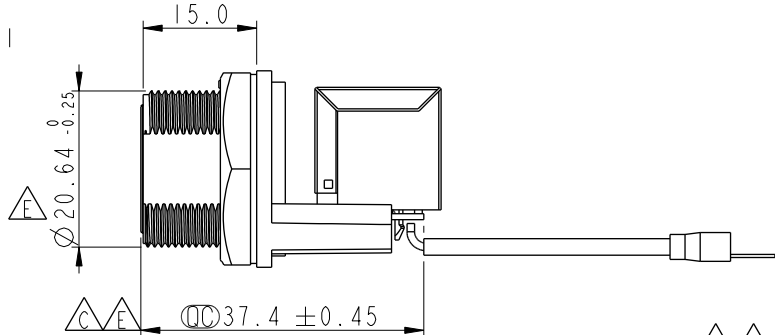
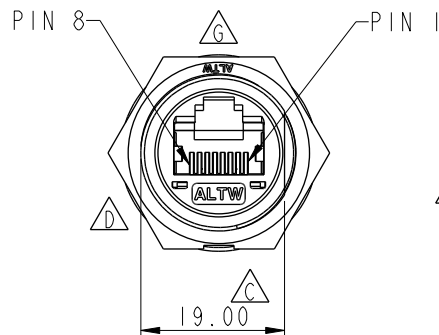
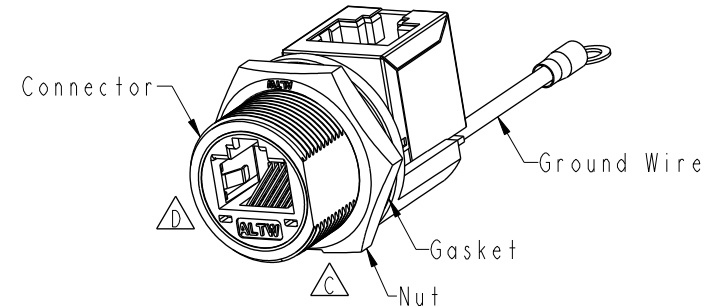
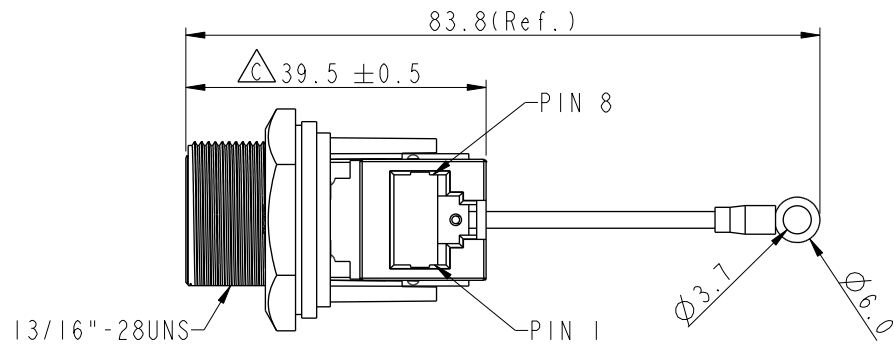


REV.	ECN NO.	DATE	SIGN	DESCRIPTION
F	C190405	2019/03/18	Ruru	Modify Note
G	C200524	2020/04/22	Vicky	△G X2
H	C220799	2022/05/26	Vicky	△H X1



Recommended Panel Cut-Out

- △△△△ Note:
- * RoHS Compliant
 - * Ⓞ Important dimension
 - * Waterproof rate: IPX7, mated
 - * Connector Housing: Thermoplastic, Black, RJ45 jack, shielded
 - * Nut: Thermoplastic, Black
 - * Gasket: Rubber, Gray
 - * Use with waterproof cap or dust cap
Panel thickness max: 3.0mm
 - * Use without waterproof cap or dust cap
Panel thickness max: 4.2mm
 - * Gasket and nut are assembled on connectors
 - * Wire: UL1015, 20AWG, Green

UNIT: mm		TITLE	RJ, C PLASTIC, C5E SHLD FRONT FASTENED, F, PNL JACK R, SCREW	
TOLERANCE		SCALE	SIZE	SHEET OF
.X ±0.25		1:1	A4	1 OF 1
.XX ±0.1		REV.	WC-REV.	
.XXX ±0.05		H	B.5	
ANGLES ±1°			Ⓞ: Inspection item	

Amphenol LTW
安費諾亮泰企業股份有限公司

ITEM NO	RCP-5SPFFV-SCM7002	DRAWN BY	Ruru	DATE	2019-03-18
DWG NO	RCP-5SPFFV-SCM7002	CHECKED BY	Rita	DATE	2019-03-18
CUSTOMER	ALTW	APPROVED BY	Max	DATE	2019-03-18

THIS DOCUMENT IS SUBJECT TO CHANGE WITHOUT NOTICE. IT IS CONFIDENTIAL AND A PROPERTY OF Amphenol LTW. DISCLOSURE TO THIRD PARTY HAS TO BE AUTHORIZED BY Amphenol LTW.