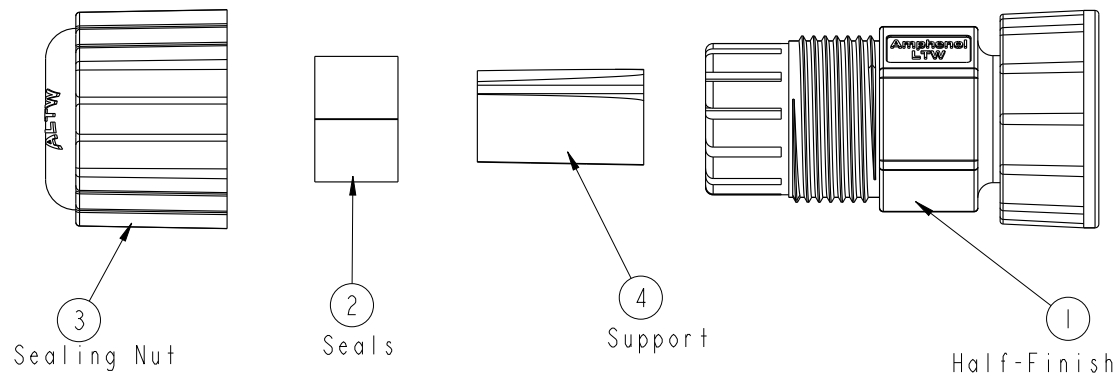
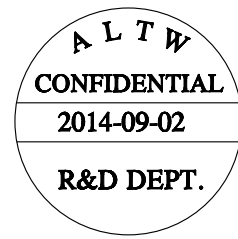
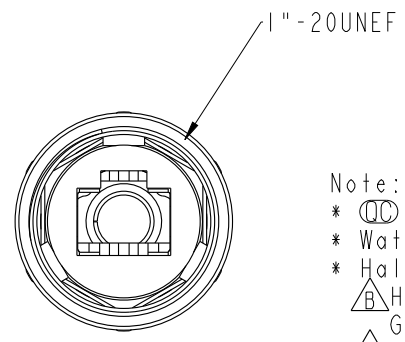
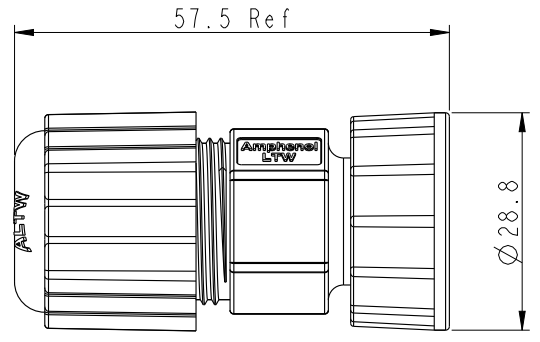


THIS DOCUMENT IS SUBJECT TO CHANGE WITHOUT NOTICE. IT IS CONFIDENTIAL AND A PROPERTY OF AMPHENOL LTW. DISCLOSURE TO THIRD PARTY HAS TO BE AUTHORIZED BY AMPHENOL LTW.

REV.	ECN NO.	DATE	SIGN	DESCRIPTION
B	LE31490144	2014-09-02	Joyy	Change to 94V0 material



Half-Finished Goods :  
( Housing+ Gasket+ SCREW NUT)



- Note:
- \*  $\varnothing$  Important Dimension
  - \* Waterproof Rate : IP67 (Mated)
  - \* Half-Finished Goods:
    - $\Delta$  Housing : Nylon66,Black
    - $\Delta$  Gasket : Silicone,Gray
    - $\Delta$  Screw Nut : Nylon+GF,Black
  - $\Delta$  \* Support: PVC,Black
  - \* Sealing Nut: FR50, BK505
  - \* Seals: Silicone,Gray.
  - \* Cable OD Range :5.0~6.5mm
  - \* Mating Nut Torsion Value Range: 5~8kgf-cm
  - \* Sealing Nut Torsion Value Range: 8~15kgf-cm
  - \* One Set Unassembled in One PE Bag.

UNIT : mm			TITLE RJ45 FEED-THRU, 1"/20, DSIZE
TOLERANCE .X ±0.25 .XX ±0.1 .XXX ±0.05 ANGLES ±1°	SCALE 1:1	SIZE A4	SHEET 1 OF 1
REV. B	WC-REV. A.11	$\varnothing$ : Inspection item	

**Amphenol LTW**  
安費諾亮泰企業股份有限公司

ITEM NO. RDP-00BMMS-SLM7001	DRAWN BY Joyy	DATE 2014-09-02
DWG NO. RDP-00BMMS-SLM7001	CHECKED BY Tom	DATE 2014-09-02
CUSTOMER ALTW	APPROVED BY VICTOR	DATE 2014-09-02