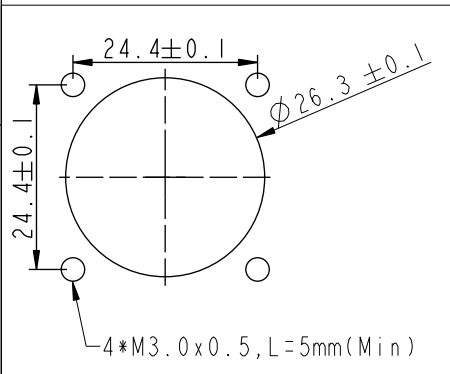
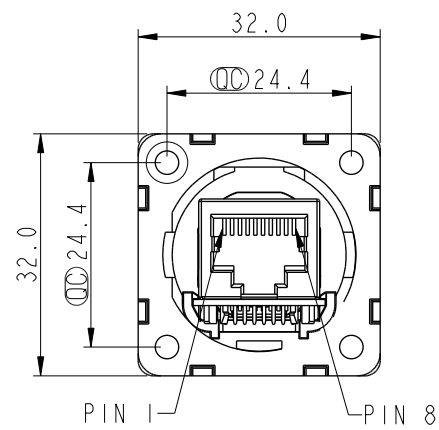
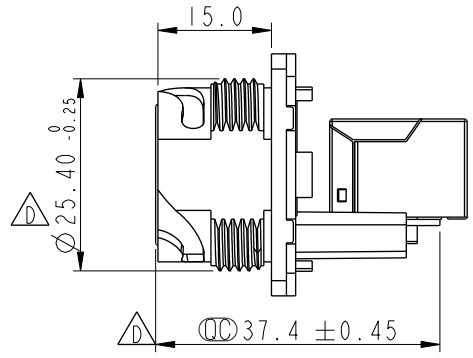
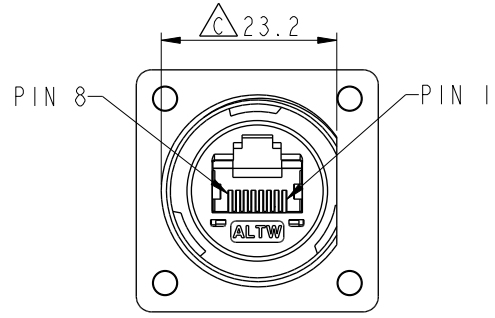
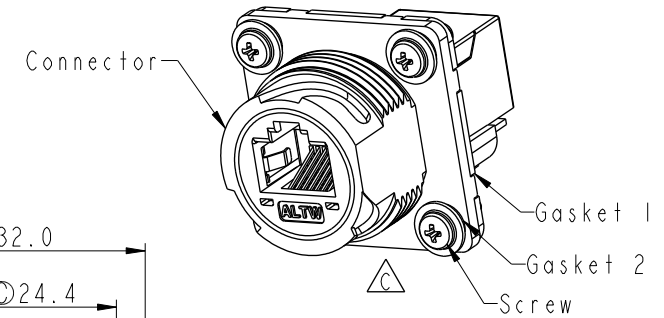
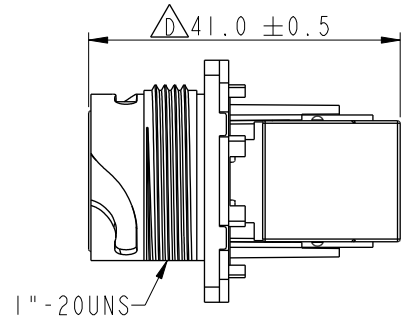


REV.	ECN NO.	DATE	SIGN	DESCRIPTION
D	LEN1810074	2017/11/29	Jalam	Modify The Tolerance
E	C190405	2019/03/15	Ruru	Modify Note
F	C220800	2022/05/31	Vicky	$\triangle$ F X3



- $\triangle$  $\triangle$  $\triangle$  Note:
- \* RoHS Compliant
  - \*  $\text{⌀}$  Important dimension
  - \* Waterproof rate: IPX7, mated
  - \* Connector Housing: Thermoplastic, Black, RJ45 jack, shielded
  - \* Gasket 1: Rubber, Gray
  - \* Gasket 2: Rubber, Black
  - \* Screw: Metal

Recommended Panel Cut-Out  $\triangle$

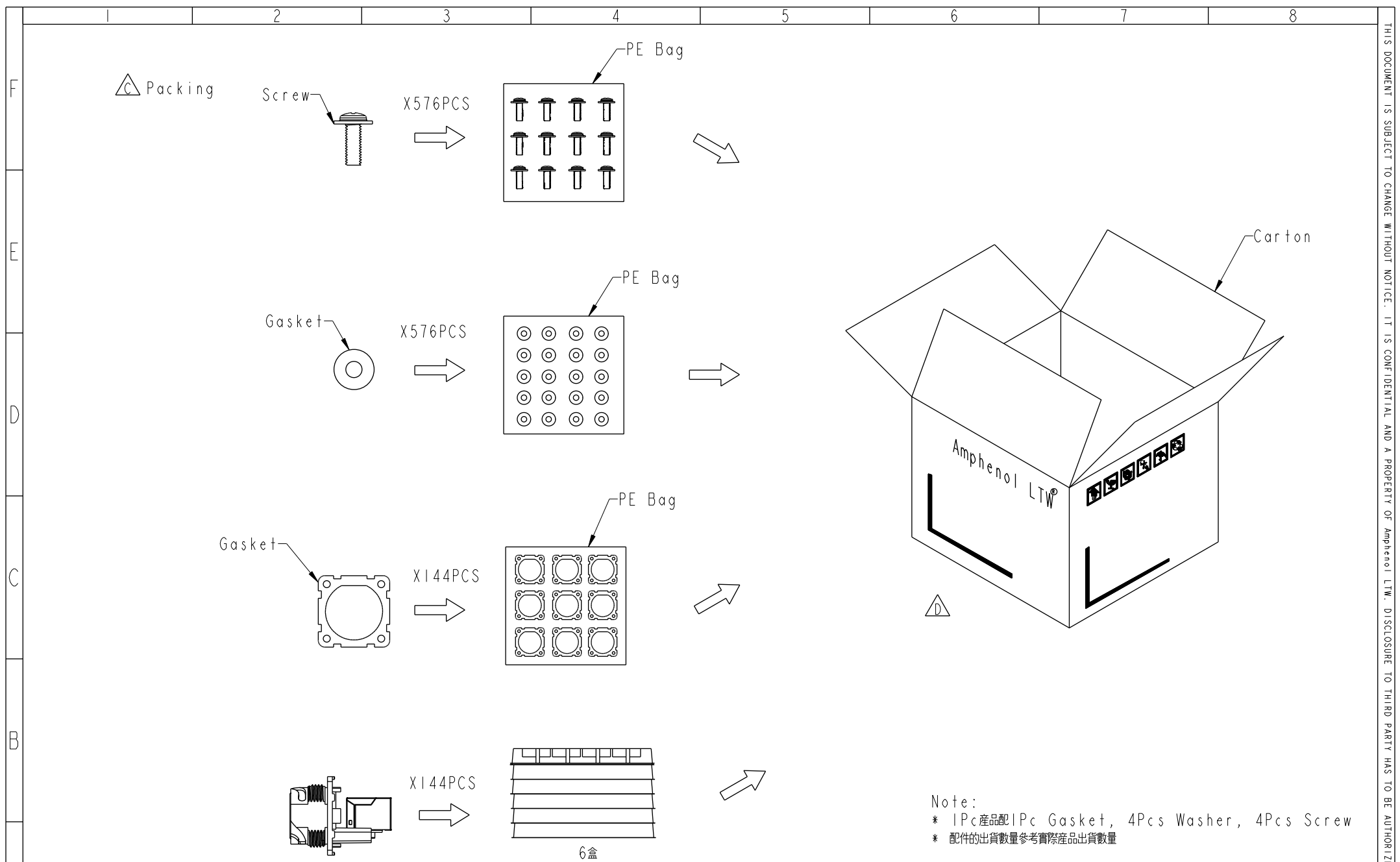
UNIT: mm	$\text{⌀}$	$\text{⌀}$	TITLE RJ, D PLASTIC, C5E SHLD FRONT FASTENED, F, PNL JACK S, 3LOCK $\triangle$ F
TOLERANCE .X ±0.25 .XX ±0.1 .XXX ±0.05 ANGLES ±1°	SCALE 1:1	SIZE A4	SHEET 1 OF 2
REV. F	WC-REV. B.5	$\text{⌀}$ : Inspection item	

**Amphenol LTW**  
安費諾亮泰企業股份有限公司

ITEM NO. RDP-5SPFFH-TSM7001	DRAWN BY Ruru	DATE 2019-03-15
DWG NO. RDP-5SPFFH-TSM7001	CHECKED BY Rita	DATE 2019-03-15
CUSTOMER ALTW	APPROVED BY Max	DATE 2019-03-15

THIS DOCUMENT IS SUBJECT TO CHANGE WITHOUT NOTICE. IT IS CONFIDENTIAL AND A PROPERTY OF Amphenol LTW. DISCLOSURE TO THIRD PARTY HAS TO BE AUTHORIZED BY Amphenol LTW.

THIS DOCUMENT IS SUBJECT TO CHANGE WITHOUT NOTICE. IT IS CONFIDENTIAL AND A PROPERTY OF Amphenol LTW. DISCLOSURE TO THIRD PARTY HAS TO BE AUTHORIZED BY Amphenol LTW.



A	UNIT: mm		TITLE RJ, D PLASTIC, C5E SHLD FRONT FASTENED, F, PNL JACK S, 3LOCK		Amphenol LTW 安費諾亮泰企業股份有限公司		ITEM NO RDP-5SPFFH-TSM7001	DRAWN BY Ruru	DATE 2019-03-15
	TOLERANCE .X ±0.25 .XX ±0.1 .XXX ±0.05 ANGLES ±1°		SCALE 1:1	SIZE A4	SHEET 2 OF 2		DWG NO RDP-5SPFFH-TSM7001	CHECKED BY Rita	DATE 2019-03-15
			REV. F	WC-REV. A.4	QC: Inspection item		CUSTOMER ALTW	APPROVED BY Max	DATE 2019-03-15
									8 W10814-03-001A2