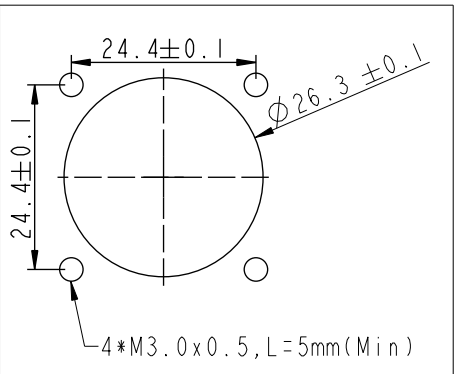
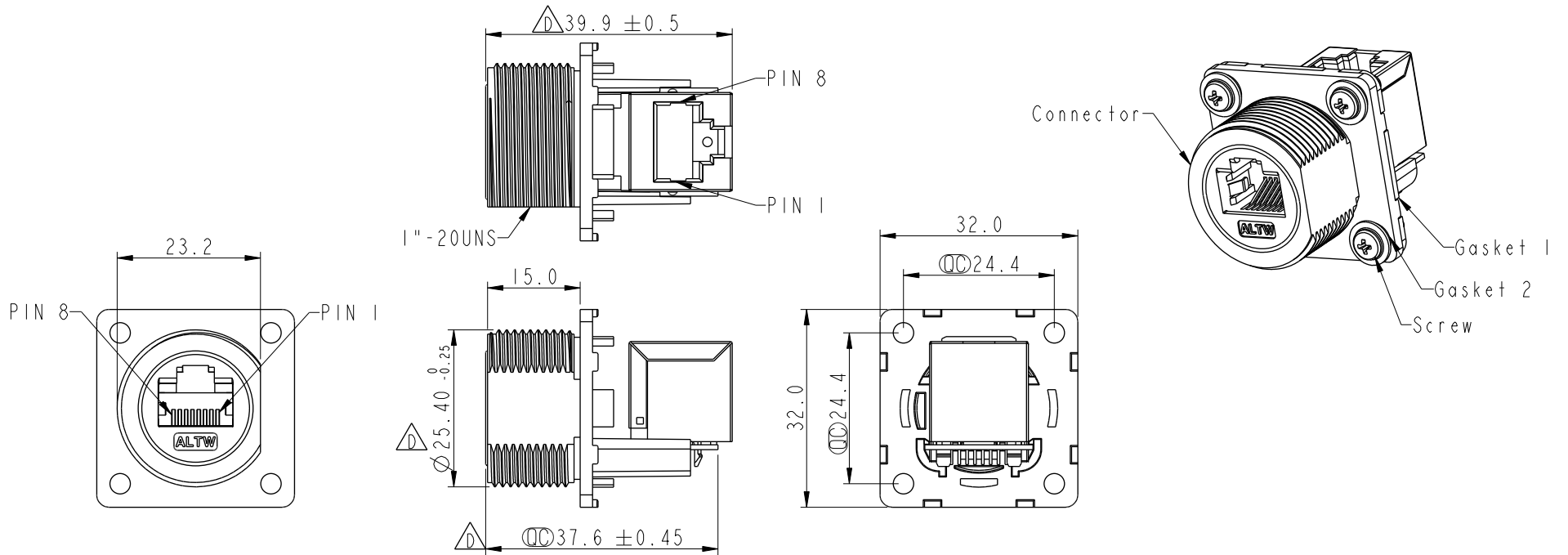


REV.	ECN NO.	DATE	SIGN	DESCRIPTION
E	C190405	2019/03/15	Ruru	Modify Note
F	C220800	2022/06/02	Vicky	$\triangle F$ X3



Recommended Panel Cut-Out

- $\triangle F$ Note:
- * RoHS Compliant
 - * \varnothing Important dimension
 - * Waterproof rate: IPX7, unmated
 - * Connector Housing: Thermoplastic, Black, RJ45 jack, shielded
 - * Gasket 1: Rubber, Gray
 - * Gasket 2: Rubber, Black
 - * Screw: Metal

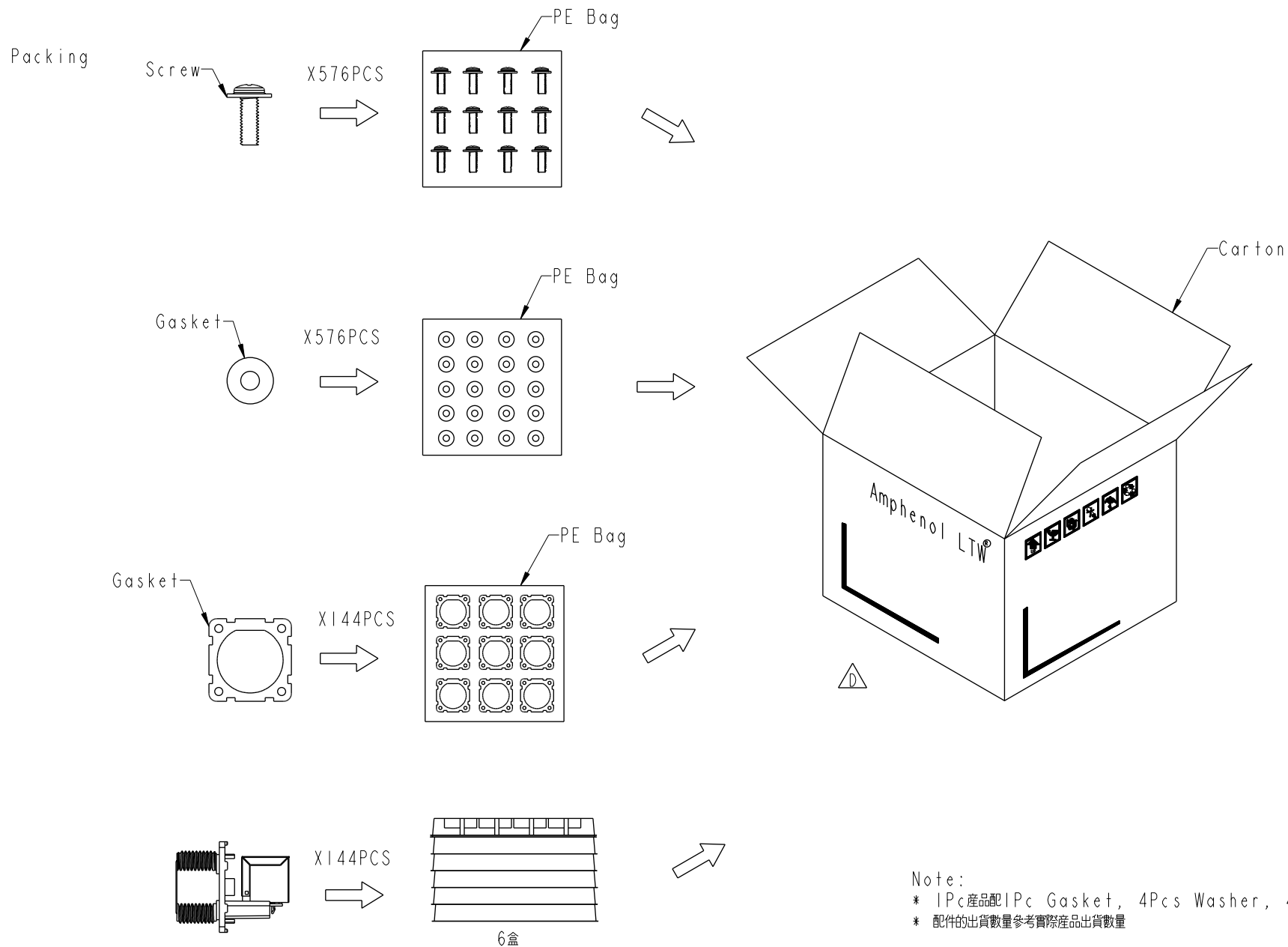
UNIT: mm			TITLE
TOLERANCE	.X ±0.25	.XX ±0.1	RJ, D PLASTIC, C5E SHLD FRONT FASTENED, F, PNL JACK R, SCREW
.XXX ±0.05	ANGLES ±1°	SCALE 1:1	SIZE A4
		REV. F	WC-REV. B.5
			SHEET 1 OF 2
			\varnothing : Inspection item

Amphenol LTW
安費諾亮泰企業股份有限公司

ITEM NO	RDP-5SPFFV-SSU7001	DRAWN BY	Ruru	DATE	2019-03-15
DWG NO	RDP-5SPFFV-SSU7001	CHECKED BY	Rita	DATE	2019-03-15
CUSTOMER	ALTW	APPROVED BY	Max	DATE	2019-03-15

THIS DOCUMENT IS SUBJECT TO CHANGE WITHOUT NOTICE. IT IS CONFIDENTIAL AND A PROPERTY OF AMPHENOL LTW. DISCLOSURE TO THIRD PARTY HAS TO BE AUTHORIZED BY AMPHENOL LTW.

THIS DOCUMENT IS SUBJECT TO CHANGE WITHOUT NOTICE. IT IS CONFIDENTIAL AND A PROPERTY OF Amphenol LTW. DISCLOSURE TO THIRD PARTY HAS TO BE AUTHORIZED BY Amphenol LTW.



Note:
 * IPc產品配IPc Gasket, 4Pcs Washer, 4Pcs Screw
 * 配件的出貨數量參考實際產品出貨數量

A	UNIT: mm		TITLE RJ, D PLASTIC, C5E SHLD FRONT FASTENED, F, PNL JACK R, SCREW		 安費諾亮泰企業股份有限公司		ITEM NO RDP-5SPFFV-SSU7001	DRAWN BY Ruru	DATE 2019-03-15	
	TOLERANCE .X ±0.25 .XX ±0.1 .XXX ±0.05 ANGLES ±1°		SCALE 1:1	SIZE A4			SHEET 2 OF 2	DWG NO RDP-5SPFFV-SSU7001	CHECKED BY Rita	DATE 2019-03-15
			REV. F	WC-REV. A.4			QC: Inspection item	CUSTOMER ALTW	APPROVED BY Max	DATE 2019-03-15