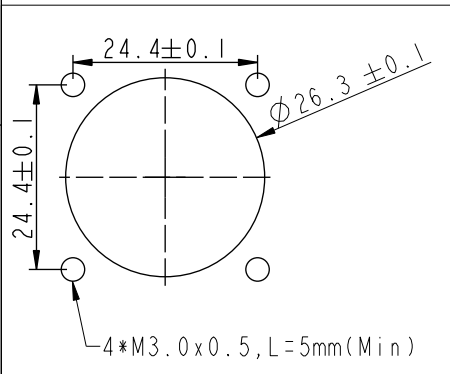
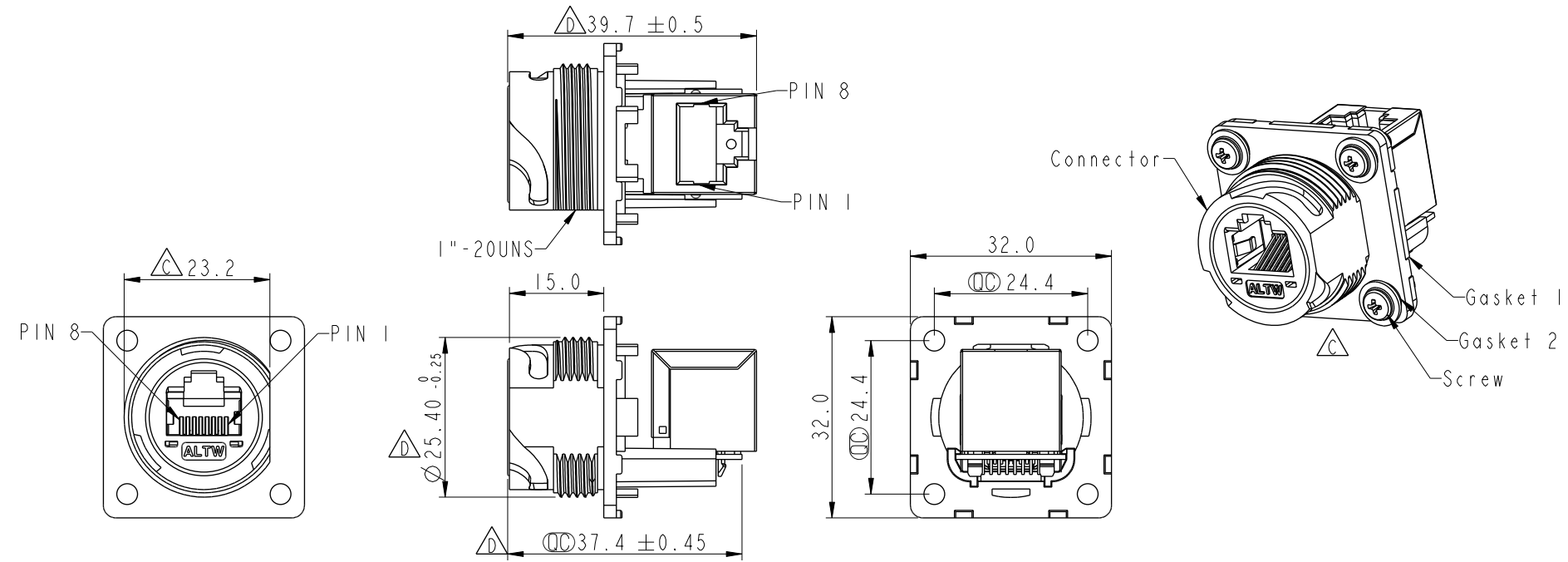


THIS DOCUMENT IS SUBJECT TO CHANGE WITHOUT NOTICE. IT IS CONFIDENTIAL AND A PROPERTY OF AMPHENOL LTW. DISCLOSURE TO THIRD PARTY HAS TO BE AUTHORIZED BY AMPHENOL LTW.

REV.	ECN NO.	DATE	SIGN	DESCRIPTION
D	LEN1810080	2017/11/29	Jalam	Change The Tolerance
E	C190405	2019/03/15	Ruru	Modify Note
F	C220800	2022/06/02	Vicky	$\triangle F$ X4



- $\triangle C$ $\triangle E$ $\triangle F$ Note:
- * RoHS Compliant
 - * ⌀ Important dimension
 - * Waterproof rate: IPX7, mated
 - * Connector
 - Housing: Thermoplastic, Black, RJ45 jack, shielded
 - * Gasket 1: Rubber, Gray
 - * Gasket 2: Rubber, Black
 - * Screw: Metal

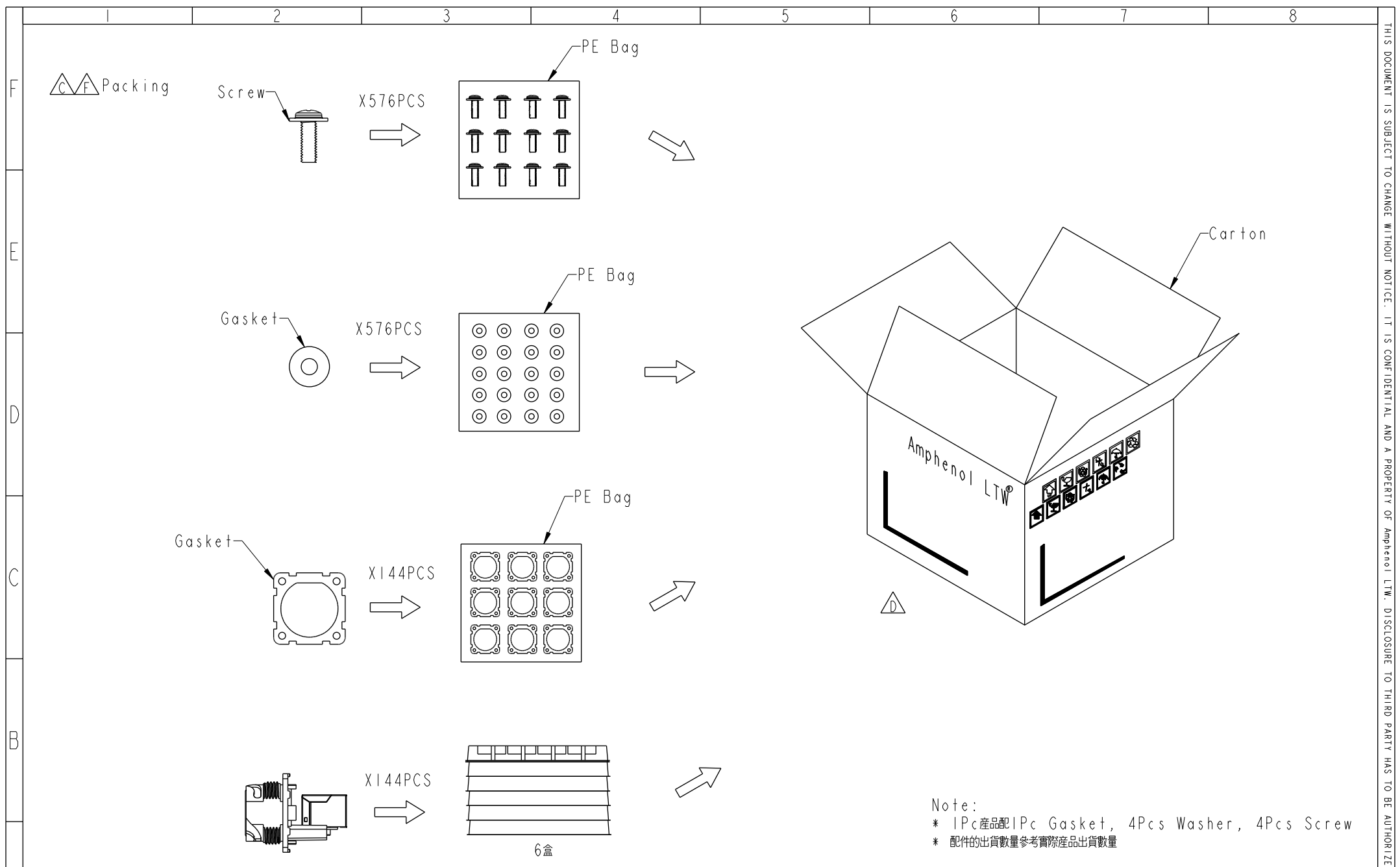
Recommended Panel Cut-Out $\triangle C$

UNIT: mm	⌀	⌀	TITLE	$\triangle F$
TOLERANCE	.X	± 0.25	RJ, D PLASTIC, C5E SHLD	FRONT FASTENED, F, PNL JACK R, 3LOCK
	.XX	± 0.1	SCALE	1:1
	.XXX	± 0.05	SIZE	A4
ANGLES		$\pm 1^\circ$	SHEET	1 OF 2
			REV.	F
			WC-REV.	B.5
			⌀	Inspection item

Amphenol LTW
安費諾亮泰企業股份有限公司

ITEM NO.	RDP-5SPFFV-TSM7001	DRAWN BY	Ruru	DATE	2019-03-15
DWG NO.	RDP-5SPFFV-TSM7001	CHECKED BY	Rita	DATE	2019-03-15
CUSTOMER	ALTW	APPROVED BY	Max	DATE	2019-03-15

THIS DOCUMENT IS SUBJECT TO CHANGE WITHOUT NOTICE. IT IS CONFIDENTIAL AND A PROPERTY OF Amphenol LTW. DISCLOSURE TO THIRD PARTY HAS TO BE AUTHORIZED BY Amphenol LTW.



Note:
 * IPc產品配IPc Gasket, 4Pcs Washer, 4Pcs Screw
 * 配件的出貨數量參考實際產品出貨數量

UNIT: mm		TITLE			Amphenol LTW 安費諾亮泰企業股份有限公司	ITEM NO	DRAWN BY	DATE
		RJ, D PLASTIC, C5E SHLD FRONT FASTENED, F, PNL JACK R, 3LOCK				RDP-5SPFFV-TSM7001	Ruru	2019-03-15
TOLERANCE		SCALE	SIZE	SHEET		DWG NO	CHECKED BY	DATE
.X	±0.25	1:1	A4	2 OF 2		RDP-5SPFFV-TSM7001	Rita	2019-03-15
.XX	±0.1	REV.	WC-REV.				APPROVED BY	DATE
.XXX	±0.05	F	B.5				Max	2019-03-15
ANGLES	±1°	Inspection item				CUSTOMER		
						ALTW		