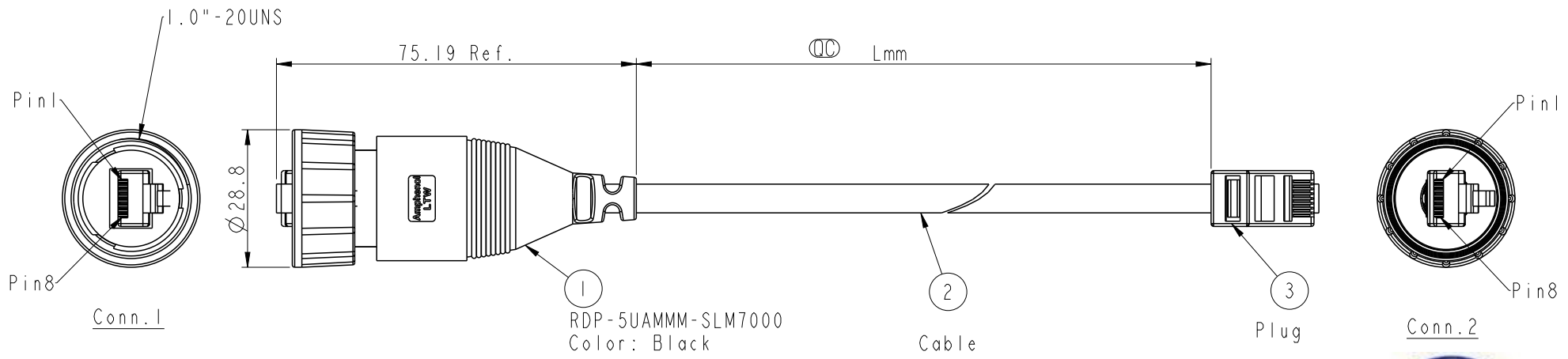
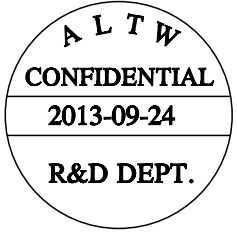


REV.	ECN NO.	DATE	SIGN	DESCRIPTION



Waterproof Rate: IP67



RDP5UM-UPG06M-SL7A XX
 XX : 01~99Meters
 01 : 01Meter
 02 : 02Meters
 ...
 99 : 99Meters
 Cable Length(L): 01~99Meters

- Note:
- * \varnothing Important Dimension To Check
 - * Waterproof Rate: IP67
 - * Housing: Nylon+GF, Black
 - * Lock Nut: Nylon+GF, Black
 - * RJ Plug: Unshield, Phosphor Bronze, Gold Plated
 - * Cable: NOUL, CAT5E UTP 24#*4P, OD6.0, BK
 - * Cable Length Tolerance: 01M: ±40mm
 02M~05M: ±60mm
 11M~30M: ±200mm
 31M~99M: ±500mm

8	Brown	棕	8	Twist Twist Twist
7	White/Brown	白/棕	7	
6	Green	綠	6	
5	White/Blue	白/藍	5	
4	Blue	藍	4	
3	White/Green	白/綠	3	
2	Orange	橘	2	
1	White/Orange	白/橘	1	
Conn.1	Wire Color		Conn.2	

Pin Out

UNIT: mm		TITLE RJ DOUBLE-ENDED, WITH PLUG 1.0"-20UNS	Amphenol LTW 安費諾亮泰企業股份有限公司		ITEM NO	DRAWN BY Raison_liao	DATE 2013-09-24
TOLERANCE .X ±0.25 .XX ±0.1 .XXX ±0.05 ANGLES ±1°	SCALE 4:5	SIZE A4	SHEET 1 OF 1	REV. A	DWG NO RDP5UM-UPG06M-SL7AXX	CHECKED BY Tony	DATE 2013-09-24
		WC-REV. A.3	\varnothing : Inspection item		CUSTOMER ALTW	APPROVED BY Victor	DATE 2013-09-24

THIS DOCUMENT IS SUBJECT TO CHANGE WITHOUT NOTICE. IT IS CONFIDENTIAL AND A PROPERTY OF Amphenol LTW. DISCLOSURE TO THIRD PARTY HAS TO BE AUTHORIZED BY Amphenol LTW.