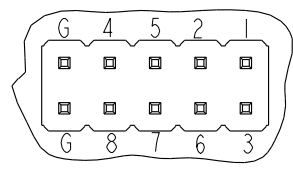
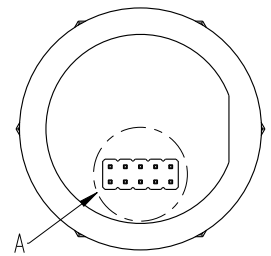
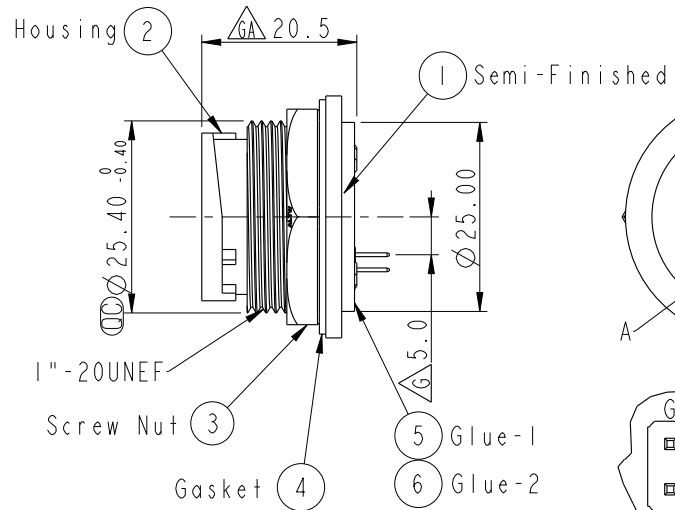
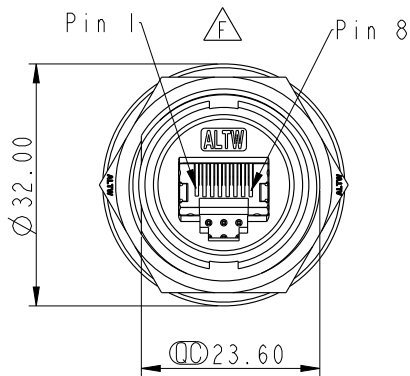
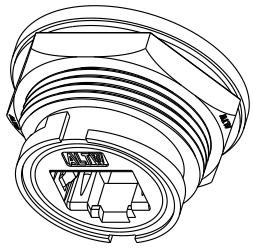
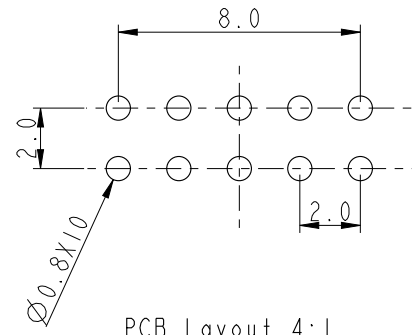


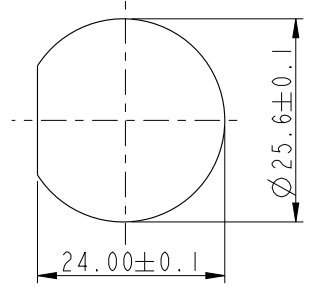
REV.	ECN NO.	DATE	SIGN	DESCRIPTION
F	LEN15A0235	2015/10/05	Ruru	Change Logo
G	CI91623	2019/09/18	Allen Pan	Add Pin Out Position Dimension
GA	C201523	2020/09/30	JC Chen	GA XI



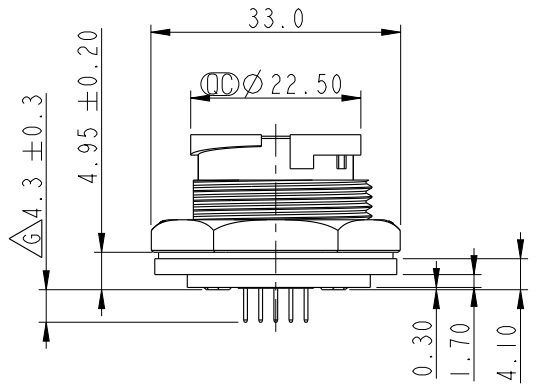
Detail "A"
Scale 3:1



PCB Layout 4:1



Recommended Panel Cut-Out



- Notes:
- * \varnothing Important Dimension.
 - * Waterproof Rate: IP67.
 - * RJ45 Sheet: Nickel Plated.
 - * Wafer: Black.
 - * RJ45 Insert: Black.
 - * Liquid Glue: Black.
 - * Screw Nut: Nylon+GF, Black.
 - * Gasket: Silicone, Gray.
 - * Use with Waterproof Cap or Dust Cap
 - For Panel Thickness Max: 4.6mm.

UNIT: mm		
TOLERANCE	.X ± 0.25	.XX ± 0.1
.XXX	± 0.05	ANGLES $\pm 1^\circ$

TITLE PANEL LOCK F CONN F PIN			
SCALE 1:1	SIZE A4	SHEET 1 OF 1	
REV. GA	WC-REV. C.4	\varnothing : Inspection item	

Amphenol LTW
安費諾亮泰企業股份有限公司

ITEM NO. RJS-5EPFFP-LC7002	DRAWN BY Allen Pan	DATE 2019-09-18
DWG NO. RJS-5EPFFP-LC7002	CHECKED BY Fred Lee	DATE 2019-09-18
CUSTOMER ALTW	APPROVED BY Fred Lee	DATE 2019-09-18

THIS DOCUMENT IS SUBJECT TO CHANGE WITHOUT NOTICE. IT IS CONFIDENTIAL AND A PROPERTY OF Amphenol LTW. DISCLOSURE TO THIRD PARTY HAS TO BE AUTHORIZED BY Amphenol LTW.