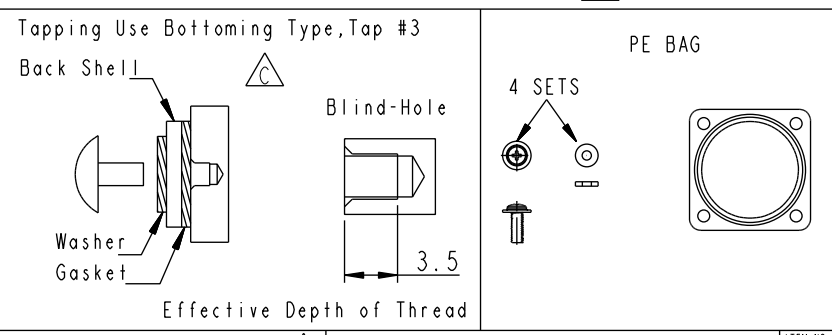
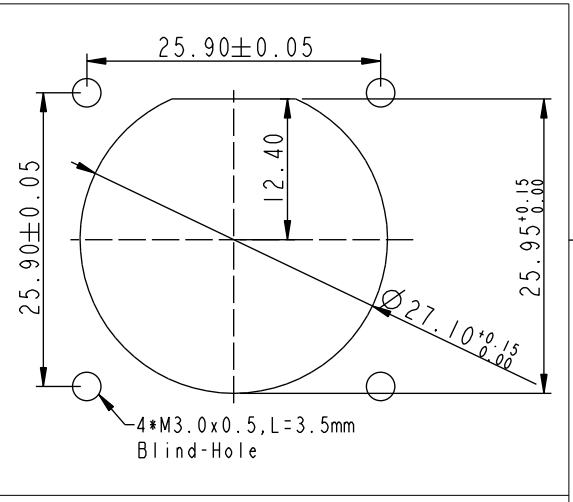
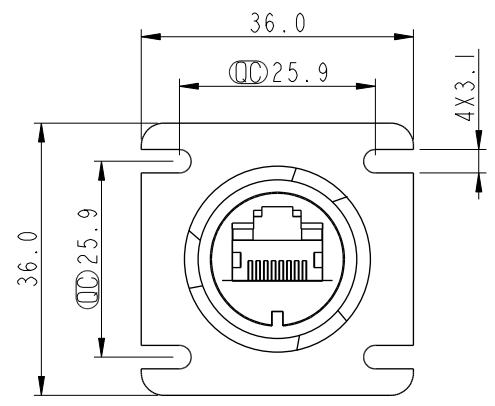
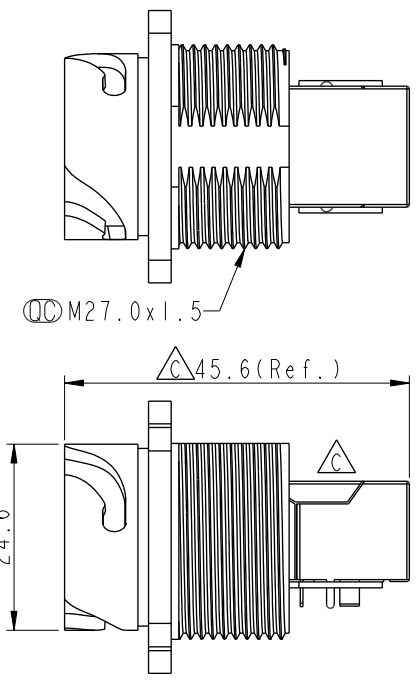
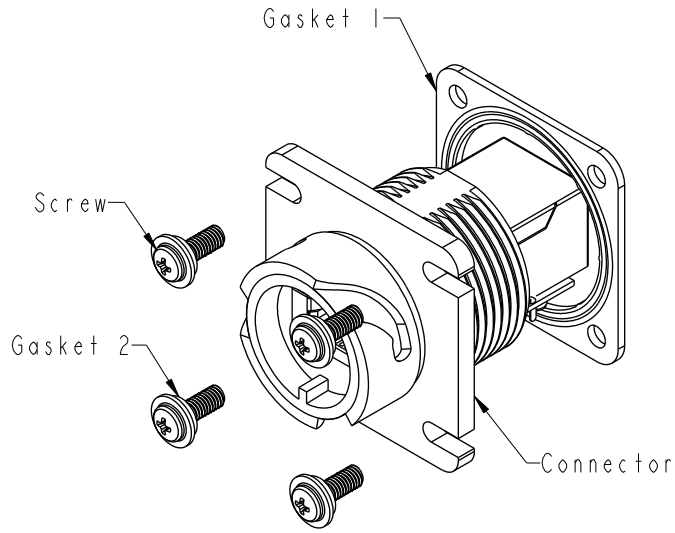


THIS DOCUMENT IS SUBJECT TO CHANGE WITHOUT NOTICE. IT IS CONFIDENTIAL AND A PROPERTY OF Amphenol LTW. DISCLOSURE TO THIRD PARTY HAS TO BE AUTHORIZED BY Amphenol LTW.

REV.	ECN NO.	DATE	SIGN	DESCRIPTION
E	LEN16B0210	2016/11/22	Feng_Li	Modify Gasket Shape
F	C190405	2019/03/18	Ruru	Modify Note
G	C220801	2022/06/10	Vicky	△G X2



- Note:
- \* RoHS Compliant
  - \* Ⓞ Important dimension
  - \* Waterproof rate: IPX7, unmated
  - \* Connector Housing: Thermoplastic, Black, RJ45 jack, shielded
  - \* Gasket 1: Rubber, Black
  - \* Gasket 2: Rubber, Black
  - \* Screw: Metal
  - \* Gasket and screw are packed separately in pe bag

UNIT: mm			TITLE
TOLERANCE	.X ±0.25	.XX ±0.1	RJ, ODVA PLASTIC, C5E SHLD REAR FASTENED, F, PNL JACK S, 3LOCK
.XXX ±0.05	ANGLES ±1°	SCALE 1:1	SIZE A4
		REV. G	WC-REV. A.3
			Ⓞ: Inspection item

**Amphenol LTW**  
安費諾亮泰企業股份有限公司

ITEM NO.	ROP-5SRFFH-TSU7001	DRAWN BY	Ruru	DATE	2019-03-18
DWG NO.	ROP-5SRFFH-TSU7001	CHECKED BY	Rita	DATE	2019-03-18
CUSTOMER	ALTW	APPROVED BY	Max	DATE	2019-03-18