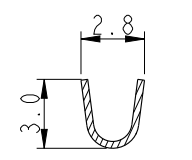


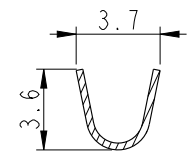
THIS DOCUMENT IS SUBJECT TO CHANGE WITHOUT NOTICE. IT IS CONFIDENTIAL AND A PROPERTY OF AMPHENOL LTW. DISCLOSURE TO THIRD PARTY HAS TO BE AUTHORIZED BY AMPHENOL LTW.

REV.	ECN NO.	DATE	SIGN	DESCRIPTION
B	C200383	2020-03-28	Peng	△BXI

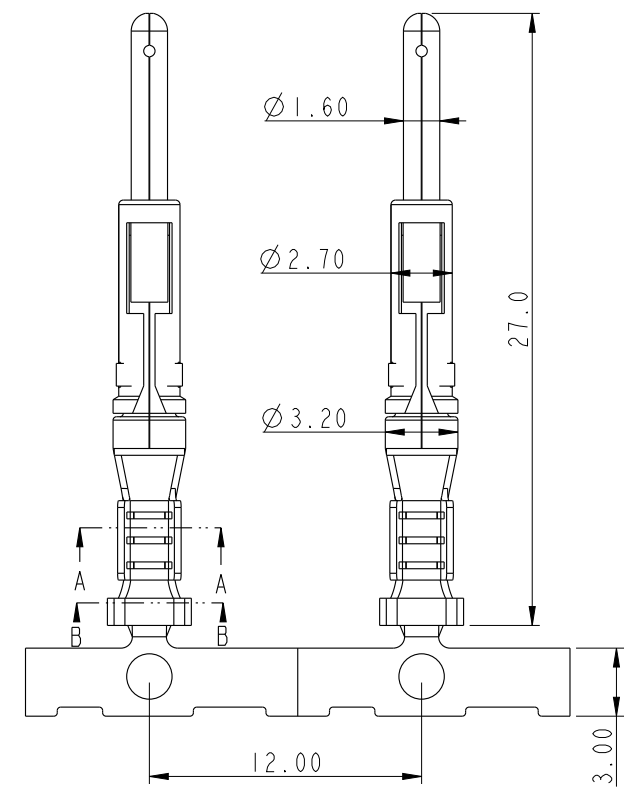
SAMI6B-XXG03  
 △B  
 01:MPQ(2000PCS)/REEL  
 02:LOOSE PIECE 500PCS  
 03:LOOSE PIECE 100PCS



SECTION A-A



SECTION B-B



Note:  
 \* Material  
 Contact Body: Copper Alloy  
 Outer Spring: Stainless steel  
 \* Contact Finish: 3u"Min Gold Plating  
 \* Current Rating: 10A Max  
 \* Termination Type: Crimping  
 \* Wire Range: 18AWG~16AWG  
 \* Salt Spray Test 48H  
 \* This drawing is supplied for information only design features specifications and performance data

UNIT:mm			TITLE 10A MALE CLAW PIN TERMINAL		
TOLERANCE ±0.5			SCALE 3:1	SIZE A4	SHEET 1 OF 1
REV. B	WC-REV. A.3	QC: Inspection item			

**Amphenol LTW**  
 安費諾亮泰企業股份有限公司

ITEM NO	DRAWN BY Jinhai	DATE 2015-08-11
DWG NO SAMI6B-XXG03	CHECKED BY Rensong	DATE 2015-08-11
CUSTOMER ALTW	APPROVED BY Jerry	DATE 2015-08-11