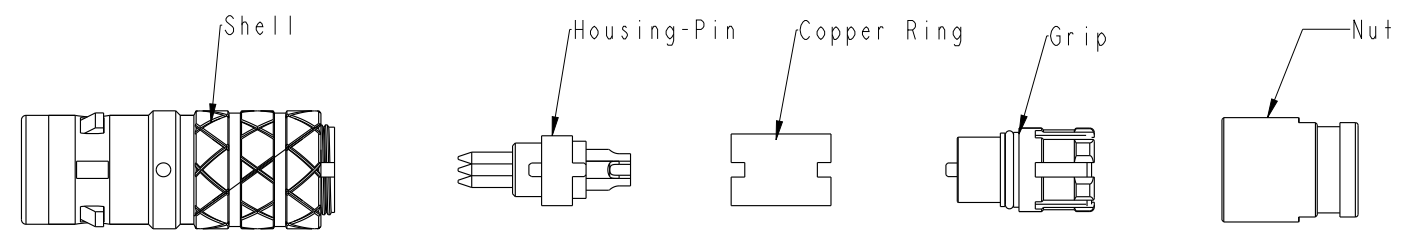
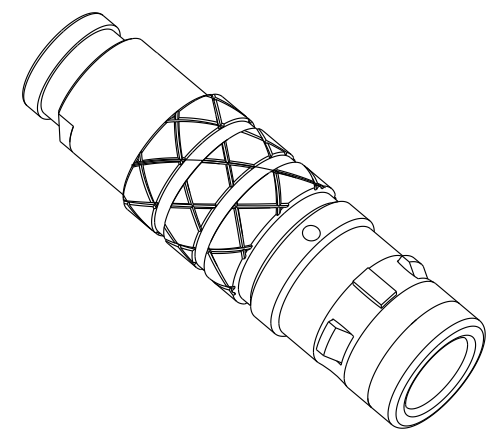
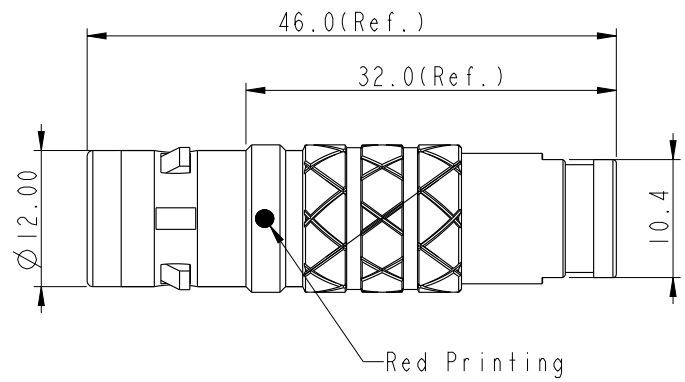
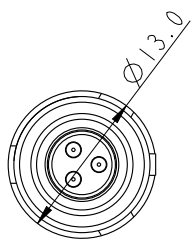


THIS DOCUMENT IS SUBJECT TO CHANGE WITHOUT NOTICE. IT IS CONFIDENTIAL AND A PROPERTY OF Amphenol LTW. DISCLOSURE TO THIRD PARTY HAS TO BE AUTHORIZED BY Amphenol LTW.

| REV. | ECN NO. | DATE       | SIGN   | DESCRIPTION |
|------|---------|------------|--------|-------------|
| B    | C201164 | 2020-07-28 | Ouyang | 1*          |
|      |         |            |        |             |



Notes:  
 \* Important Dimensions To Check  
 \* Waterproof Rate: IP68. (Mated)  
 \* Male Pin: Copper Alloy, Gold Plated.

|                                 |                                      |               |  |                  |                     |                                |                     |
|---------------------------------|--------------------------------------|---------------|--|------------------|---------------------|--------------------------------|---------------------|
| UNIT: mm<br>TOLERANCE<br>±0.5MM | TITLE<br>FLO PLUS K C SIZE CONNECTOR |               | <h1>Amphenol LTW</h1> <p>安費諾亮泰企業股份有限公司</p> |                  | ITEM NO.            | DRAWN BY<br>Ouyang             | DATE<br>2019-12-16  |
|                                 | SCALE<br>1:1                         | SIZE<br>A4    |  |                  | SHEET<br>1 OF 2     | DWG NO.<br>SLKC-XXFGMS-XCP-XXX | CHECKED BY<br>Jerry |
|                                 | REV.<br>B                            | WC-REV.<br>.0 | Inspection item                            | CUSTOMER<br>ALTW | APPROVED BY<br>Fred | DATE<br>2019-12-16             |                     |

THIS DOCUMENT IS SUBJECT TO CHANGE WITHOUT NOTICE. IT IS CONFIDENTIAL AND A PROPERTY OF Amphenol LTW. DISCLOSURE TO THIRD PARTY HAS TO BE AUTHORIZED BY Amphenol LTW.

1 2 3 4 5 6 7 8

F

E

D

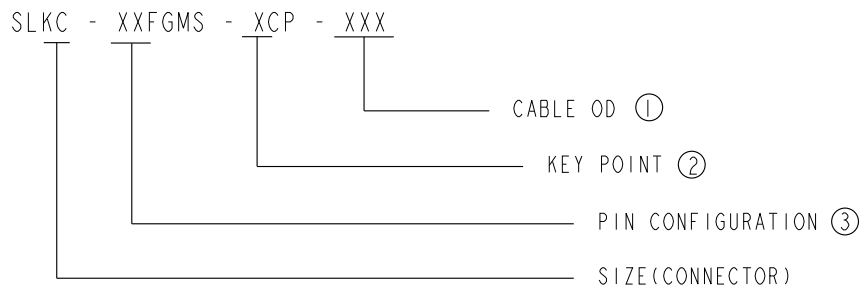
C

B

A

IK-SERIES CABLE COLLET(CABLE OD)

| CABLE CLAMP SET     |        | CABLE DIA RANGE |     |
|---------------------|--------|-----------------|-----|
| TYPE $\triangle$    | CODE ① | MAX             | MIN |
| SLKC-XXFGMS-XCP-XXX | 223    | 4.7             | 3.6 |
|                     | 224    | 5.7             | 4.8 |
|                     | 225    | 6.1             | 5.8 |
|                     | --     | --              | --  |
|                     | --     | --              | --  |
|                     | --     | --              | --  |



KEY POINT

| CODE ②  | G  | A   | B   | C   | D   |
|---------|----|-----|-----|-----|-----|
|         | 0° | 30° | 45° | 60° | 95° |
| GRAPHIC |    |     |     |     |     |

PIN CONFIGURATION (Solder Definition) ③

| GRAPHIC | 2 PIN | 3 PIN | 4 PIN | 5 PIN | 6 PIN | 7 PIN | 8 PIN | 10 PIN | 14 PIN | 16 PIN |
|---------|-------|-------|-------|-------|-------|-------|-------|--------|--------|--------|
|         |       |       |       |       |       |       |       |        |        |        |

|           |        |  |
|-----------|--------|--|
| UNIT:mm   |        |  |
| TOLERANCE | ±0.5mm |  |

|                                      |               |                     |
|--------------------------------------|---------------|---------------------|
| TITLE<br>FLO PLUS K C SIZE CONNECTOR |               |                     |
| SCALE<br>1:1                         | SIZE<br>A4    | SHEET<br>2 OF 2     |
| REV.<br>B                            | WC-REV.<br>.0 | QC: Inspection item |

**Amphenol LTW**  
安費諾亮泰企業股份有限公司

|                               |                     |                    |
|-------------------------------|---------------------|--------------------|
| ITEM NO                       | DRAWN BY<br>Ouyang  | DATE<br>2019-12-03 |
| DWG NO<br>SLKC-XXFGMS-XCP-XXX | CHECKED BY<br>Jerry | DATE<br>2019-12-03 |
| CUSTOMER<br>ALTW              | APPROVED BY<br>Fred | DATE<br>2019-12-03 |

1 2 3 4 5 6 7 8 W10814-03-0001A2