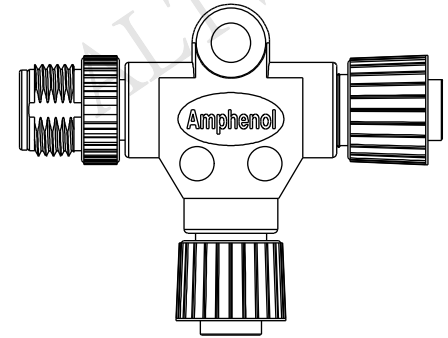
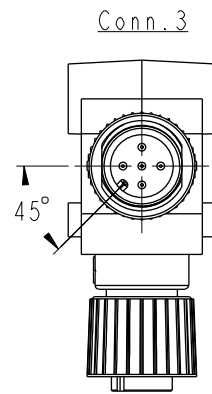
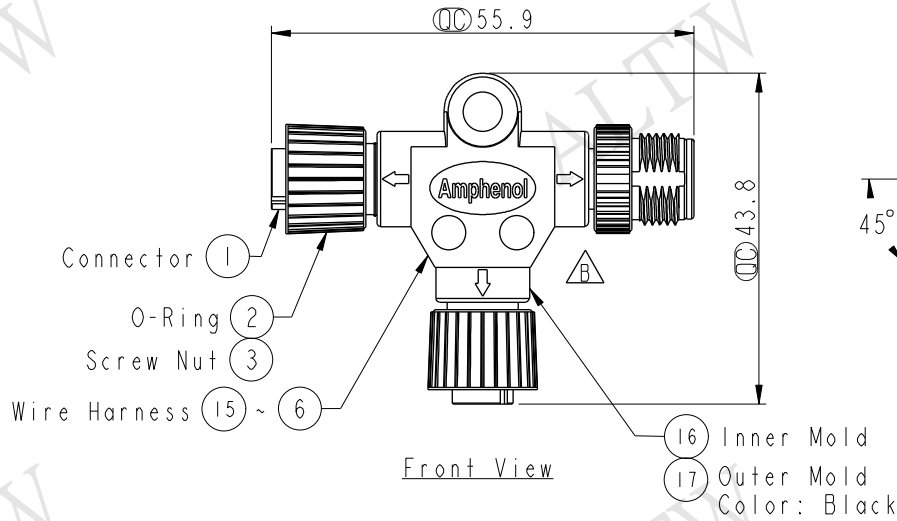
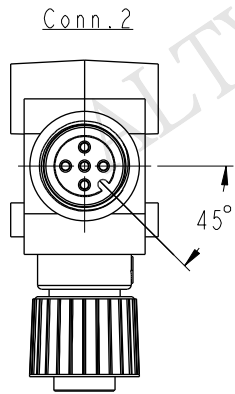
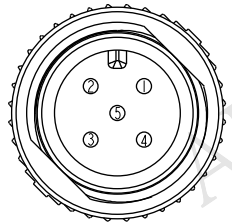


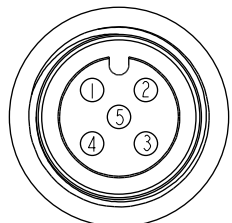
REV.	ECN NO.	DATE	SIGN	DESCRIPTION
B	LE31730079	2017/03/03	Ruru	Change Logo & Outer Mold Design
BA	LEN1770143	2017/06/09	Larry Yin	Change Screw Nut



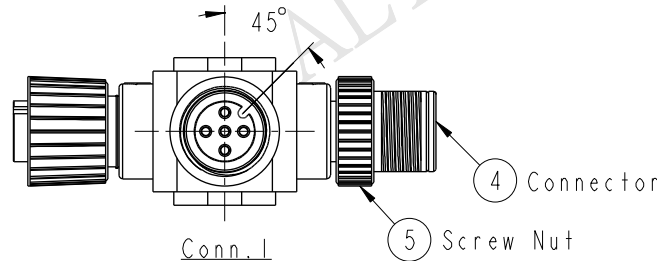
Back View



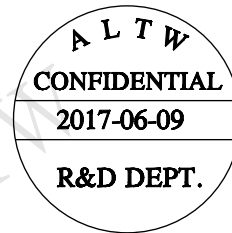
Conn. 3
Pin Assignments
Front View



Conn. 1&2
Pin Assignments
Front View



Blue (24AWG) 藍	5	5	5
White (24AWG) 白	4	4	4
Black (22AWG) 黑	3	3	3
Red (22AWG) 紅	2	2	2
Green (24AWG) 綠	1	1	1
Wire Color	Conn. 1	Conn. 2	Conn. 3
	Pin Out		



Note:

- * \varnothing Important Dimension
- * Waterproof Rate: IP68
In 1 meter water within 24 hours
- * Connector: PU, Black
- * O-Ring: Viton, Green
- * Screw Nut: Zinc Alloy, Nickel Plated
- * Pin: Copper Alloy, Gold Plated
- * Wire Harness: UL1061 24AWG, Green, White, Blue
- * Wire Harness: UL1061 22AWG, Red, Black

UNIT:mm	
TOLERANCE	± 0.5mm

TITLE M12 Conn T Adaptor FFM Conn FFM Pin, 5Pin			
SCALE 1:1	SIZE A4	SHEET 1 OF 1	
REV. C	WC-REV. A.1	\varnothing : Inspection item	

Amphenol LTW
安費諾亮泰企業股份有限公司

ITEM NO. SS-050505-FFM-TS001	DRAWN BY Larry Yin	DATE 2017/06/09
DWG NO. SS-050505-FFM-TS001	CHECKED BY Aric Ko	DATE 2017/06/09
CUSTOMER ALTW	APPROVED BY Kevin Hu	DATE 2017/06/09

THIS DOCUMENT IS SUBJECT TO CHANGE WITHOUT NOTICE. IT IS CONFIDENTIAL AND A PROPERTY OF Amphenol LTW. DISCLOSURE TO THIRD PARTY HAS TO BE AUTHORIZED BY Amphenol LTW.