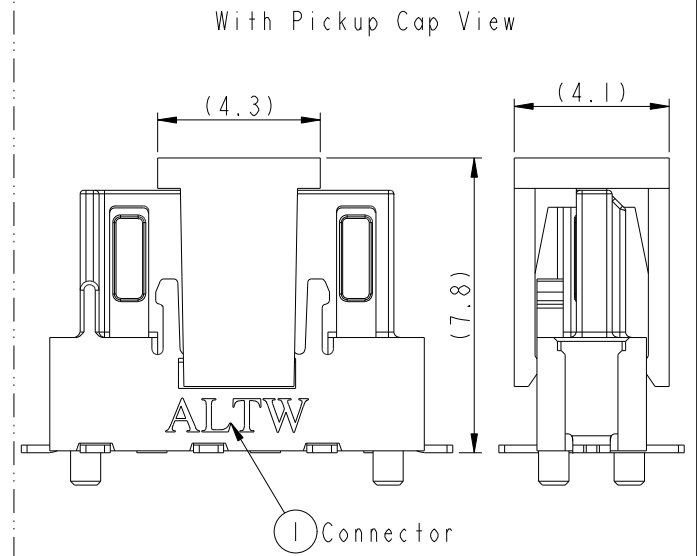
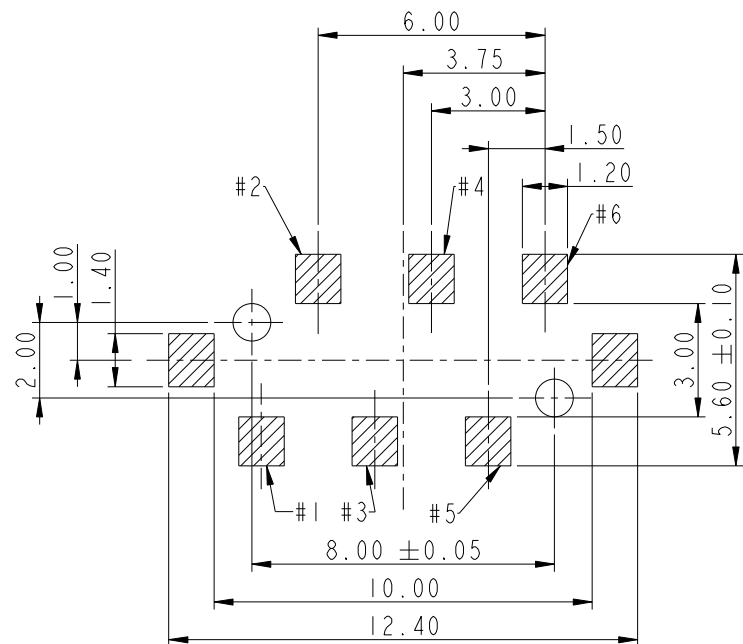
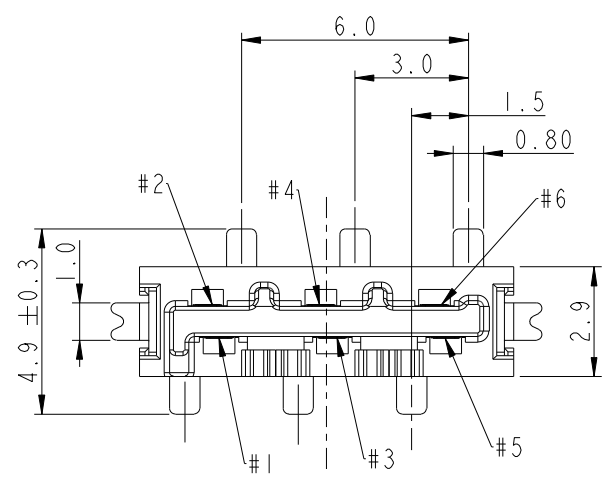
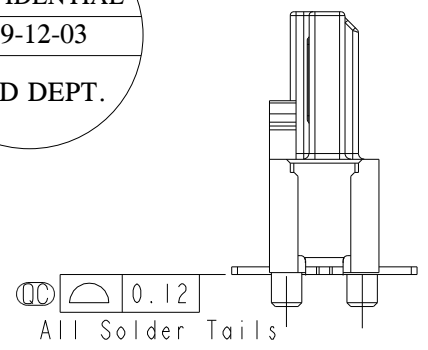
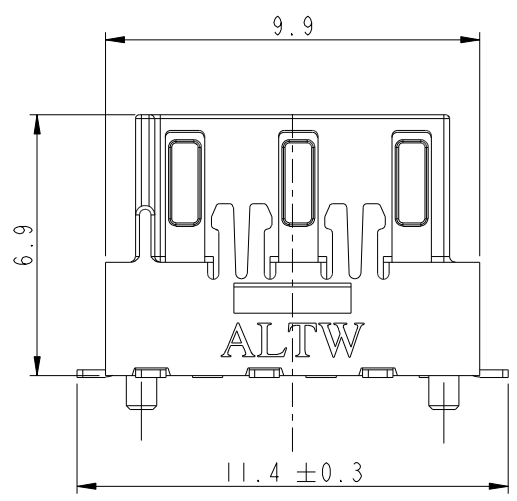


THIS DOCUMENT IS SUBJECT TO CHANGE WITHOUT NOTICE. IT IS CONFIDENTIAL AND A PROPERTY OF Amphenol LTW. DISCLOSURE TO THIRD PARTY HAS TO BE AUTHORIZED BY Amphenol LTW.

REV.	ECN NO.	DATE	SIGN	DESCRIPTION
B	CI91496	2019-08-29	NianPing Yu	Add UL Label
C	CI92063	2019-12-03	NianPing Yu	△XI



RECOMMENDED P.C.B. LAYOUT
GENERAL TOLERANCE IS ±0.05



- Notes:
- * Ⓞ Important Dimension To Check.
 - * Housing: High temperature thermoplastic. UL94V-0, color is Natural white.
 - * Pickup Cap: High temperature thermoplastic. UL94V-0, color is Black.
 - * Terminal: Copper Alloy, Gold Plated on contact area. Tin plated on solder tails.
 - * Solder Peg: Copper Alloy, Tin plated over Nickel.

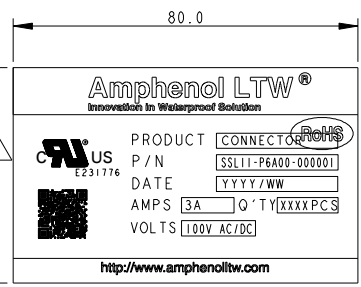
UNIT: mm		
TOLERANCE	.X ±0.25	
	.XX ±0.1	
	.XXX ±0.05	
ANGLES	±1°	

TITLE SSL-1.1 DC 6P PLUG CONN, WITH POST, S/T, SMT TYPE			
SCALE 5:1	SIZE A4	SHEET 1 OF 2	
REV. C	WC-REV. A.8	Ⓞ: Inspection item	

Amphenol LTW
安費諾亮泰企業股份有限公司

ITEM NO. SSL11-P6A00-000001	DRAWN BY NianPing Yu	DATE 2019-08-29
DWG NO. SSL11-P6A00-000001	CHECKED BY Fisher Wang	DATE 2019-08-29
CUSTOMER ALTW	APPROVED BY Max Yang	DATE 2019-08-29

THIS DOCUMENT IS SUBJECT TO CHANGE WITHOUT NOTICE. IT IS CONFIDENTIAL AND A PROPERTY OF Amphenol LTW. DISCLOSURE TO THIRD PARTY HAS TO BE AUTHORIZED BY Amphenol LTW.

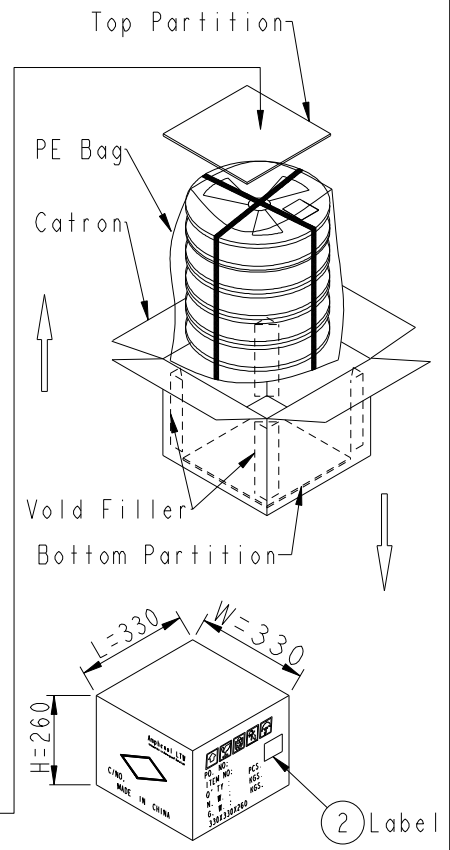
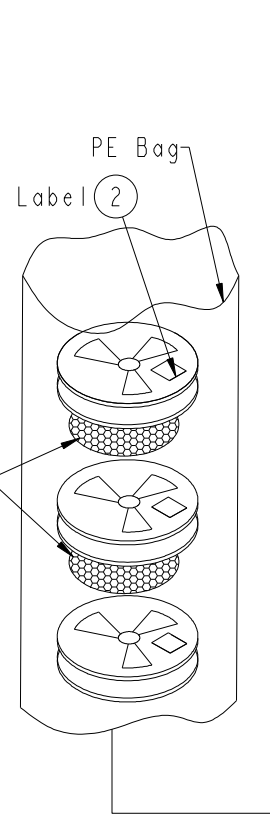
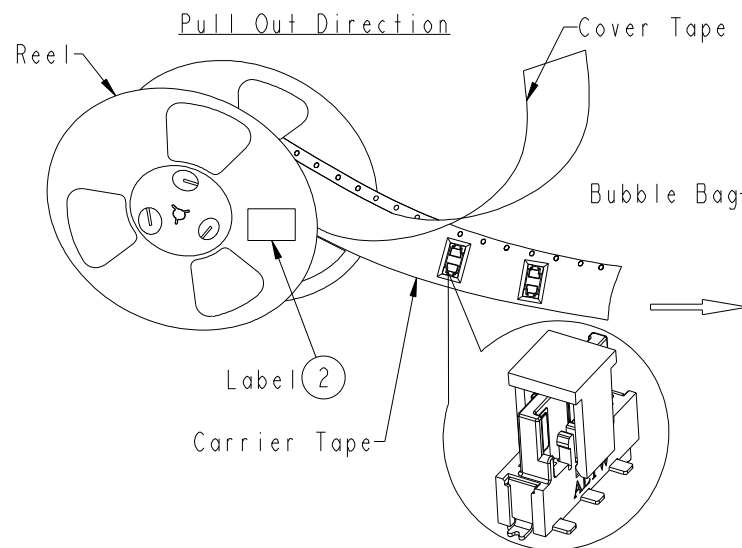
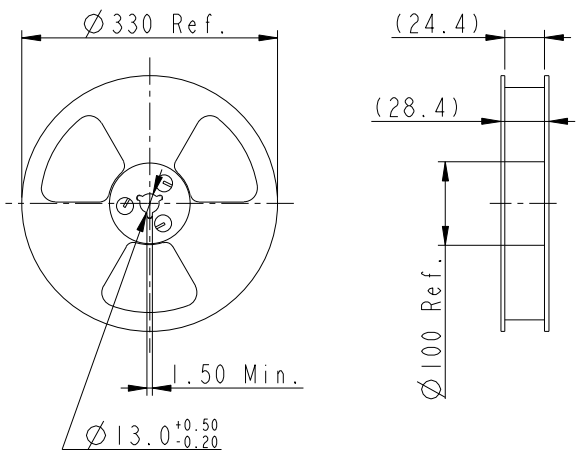
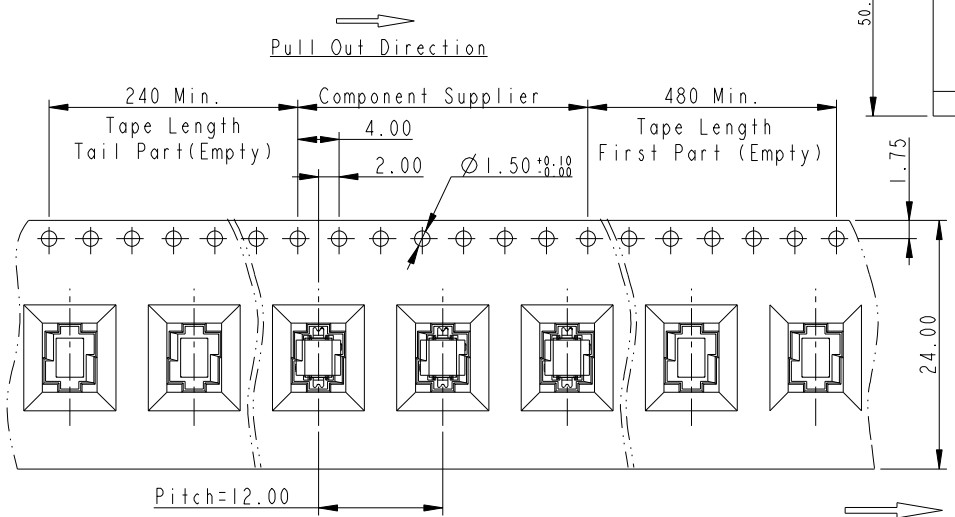


MATERIALS

1. Carrier Tape: Polystyren (PS)
2. Cover Tape: Polystyren (PS)
3. Reel: Polystyren (PS)

QUANTITY

1. 400Pcs Per Reel
2. 8 Reel Per Carton (3200Pcs/Carton)
3. Reference Standard: EIA-481-D
4. Net Weight: 0.8Kg/Carton.
5. Gross Weight: 4.2Kg/Carton.



UNIT: mm		
TOLERANCE	.X ±0.25	
	.XX ±0.1	
	.XXX ±0.05	
ANGLES	±1°	

TITLE SSL-I.1 DC 6P PLUG CONN, WITH POST, S/T, SMT TYPE			
SCALE 5:1	SIZE A4	SHEET 2 OF 2	
REV. C	WC-REV. A.3	QC: Inspection item	

Amphenol LTW
安費諾亮泰企業股份有限公司

ITEM NO SSLII-P6A00-000001	DWG NO SSLII-P6A00-000001	CUSTOMER ALTW
-------------------------------	------------------------------	------------------

DRAWN BY NianPing Yu	CHECKED BY Fisher Wang	APPROVED BY Max Yang
-------------------------	---------------------------	-------------------------

DATE 2019-08-29	DATE 2019-08-29	DATE 2019-08-29
--------------------	--------------------	--------------------