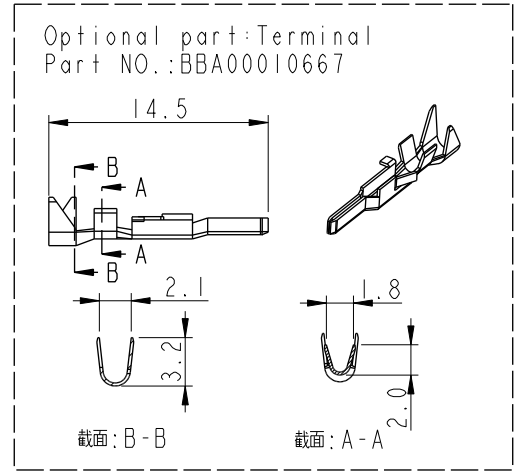
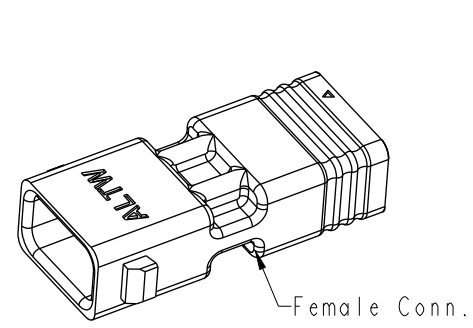
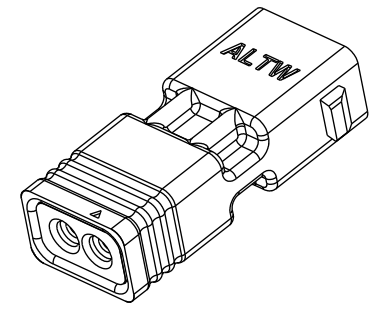
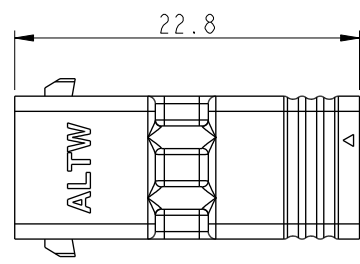
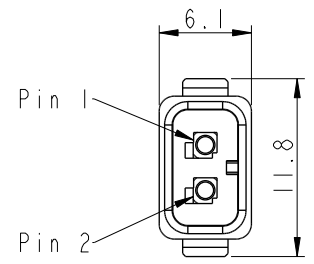


THIS DOCUMENT IS SUBJECT TO CHANGE WITHOUT NOTICE. IT IS CONFIDENTIAL AND A PROPERTY OF AMPHENOL LTW. DISCLOSURE TO THIRD PARTY HAS TO BE AUTHORIZED BY AMPHENOL LTW.

| REV. | ECN NO. | DATE | SIGN | DESCRIPTION |
|------|------------|------------|--------|--|
| C | LEN1620283 | 2016-02-29 | Fisher | Update label |
| D | LEN1790249 | 2017-09-14 | Ruru | RoHS Label and blue and white label merger |
| E | C210522 | 2021-03-31 | Ruru | △ X3 |



- Notes: △
- * (QC) Important Dimension To Check.
 - * Waterproof Rate: IP68(mating).
1M Depth Of Water In 24 Hours.
 - * Housing: Thermoplastic, UL94V-0, Natural White.
 - * Seals: Rubber, Gray.
 - * Current Rating: 5A maximum.
 - * 適用電子線 20AWG~22AWG
 - * Voltage Rating: 250V AC/DC maximum.
 - * Operating Temperature: -40~+105℃

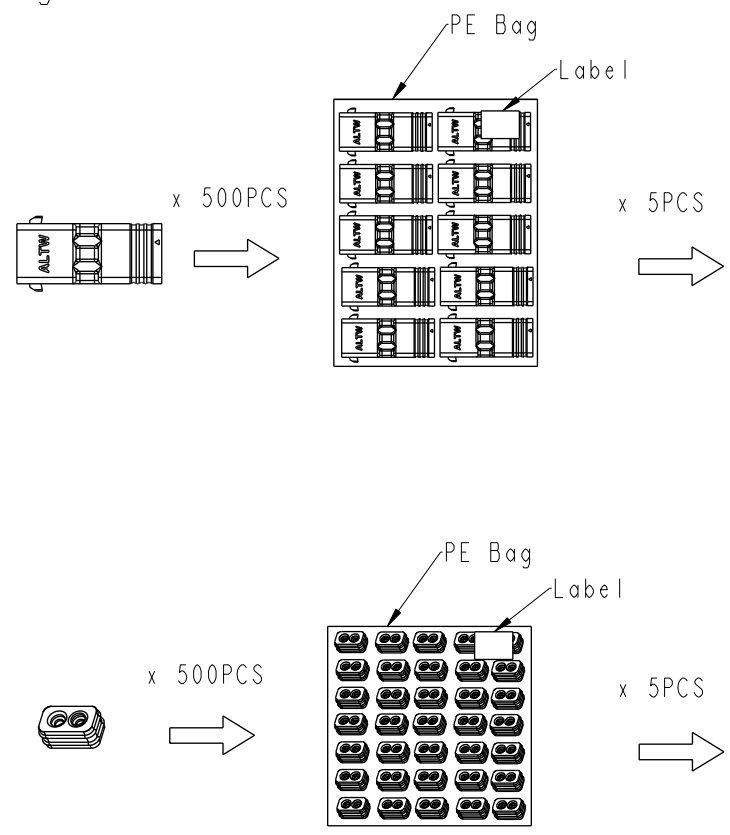
| | | | | |
|---------------------|--|-----------------------|--------------------------------|---------|
| UNIT:mm | | TITLE | SSL, 1.2 WP, F, 2P FI, NONE | |
| TOLERANCE ±0.5mm | | SCALE | 2:1 | SIZE |
| | | REV. | E | WC-REV. |
| | | | | A.4 |
| | | SHEET | 1 | OF |
| | | | | 2 |
| | | (QC): Inspection item | | |

Amphenol LTW
安費諾亮泰企業股份有限公司

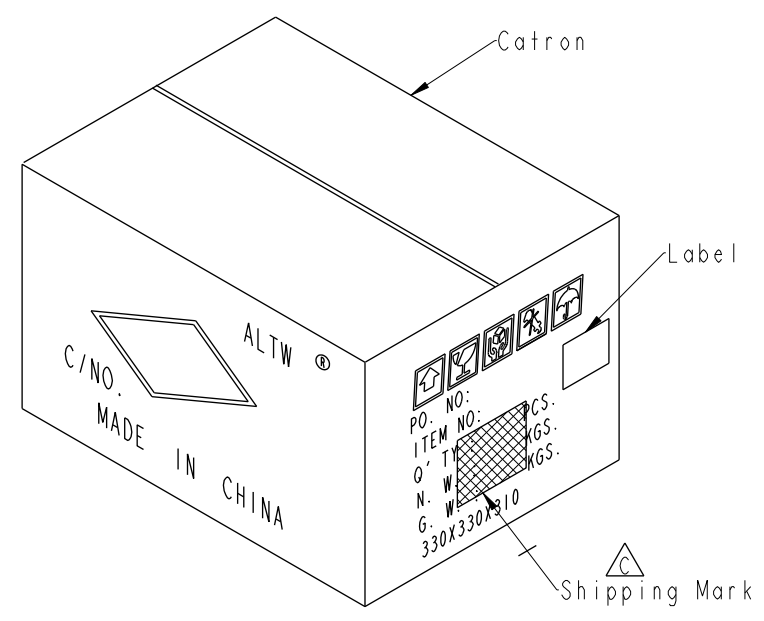
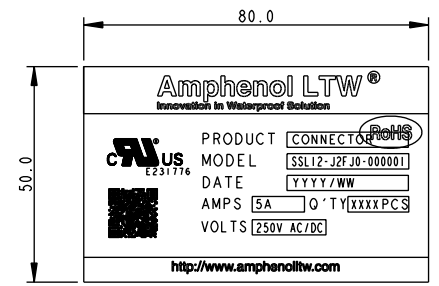
| | | | | | |
|----------|--------------------|-------------|------|------|------------|
| ITEM NO | SSL12-J2FJ0-000001 | DRAWN BY | Ruru | DATE | 2017-09-14 |
| DWG NO | SSL12-J2FJ0-000001 | CHECKED BY | Rita | DATE | 2017-09-14 |
| CUSTOMER | ALTW | APPROVED BY | Max | DATE | 2017-09-14 |

THIS DOCUMENT IS SUBJECT TO CHANGE WITHOUT NOTICE. IT IS CONFIDENTIAL AND A PROPERTY OF Amphenol LTW. DISCLOSURE TO THIRD PARTY HAS TO BE AUTHORIZED BY Amphenol LTW.

Packing



Print content of Label



- QUANTITY
- 2500Set Per Carton
 - Net Weight: 2.3Kg/Carton.
 - Gross Weight: 3.0Kg/Carton.

| | | |
|---------------------|--|--|
| UNIT:mm | | |
| TOLERANCE ±0.5mm | | |

| | | | |
|---|----------------|--------------------|--|
| TITLE SSL, 1.2 WP, F, 2P FI, NONE | | | |
| SCALE 2:1 | SIZE A4 | SHEET 2 OF 2 | |
| REV. E | WC-REV. A.4 | ☉: Inspection item | |

Amphenol LTW
安費諾亮泰企業股份有限公司

| | | |
|-------------------------------|--------------------|--------------------|
| ITEM NO SSL12-J2FJ0-000001 | DRAWN BY Ruru | DATE 2017-09-14 |
| DWG NO SSL12-J2FJ0-000001 | CHECKED BY Rita | DATE 2017-09-14 |
| CUSTOMER ALTW | APPROVED BY Max | DATE 2017-09-14 |