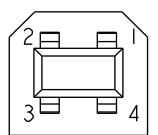
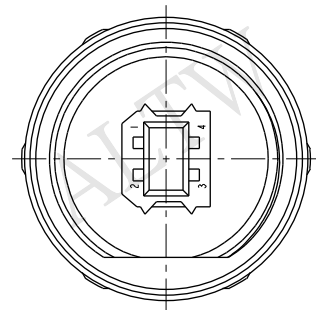
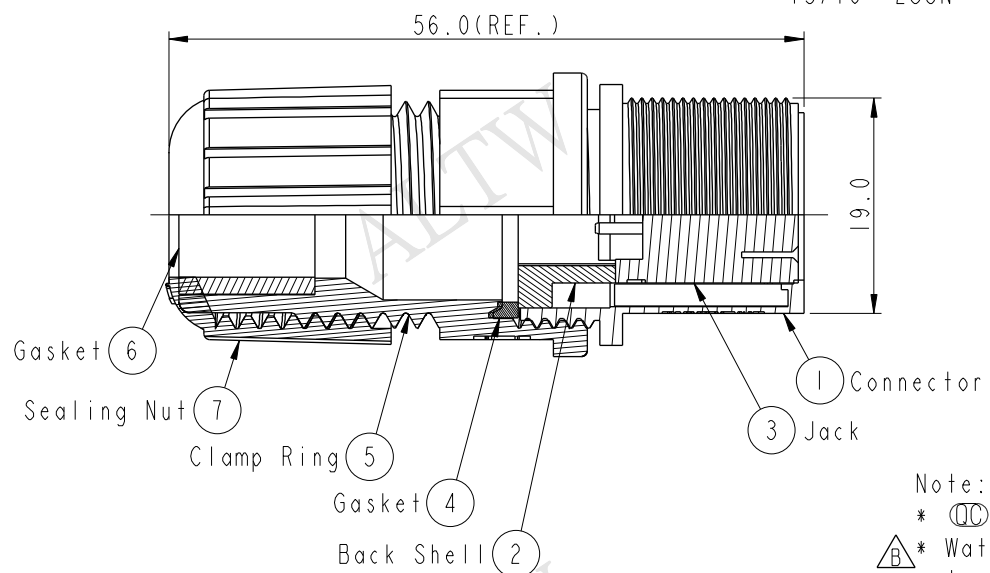
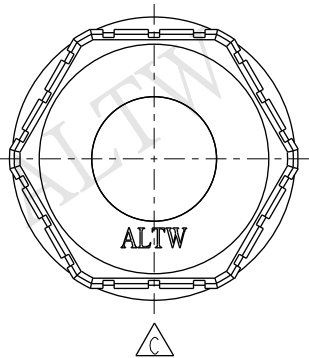
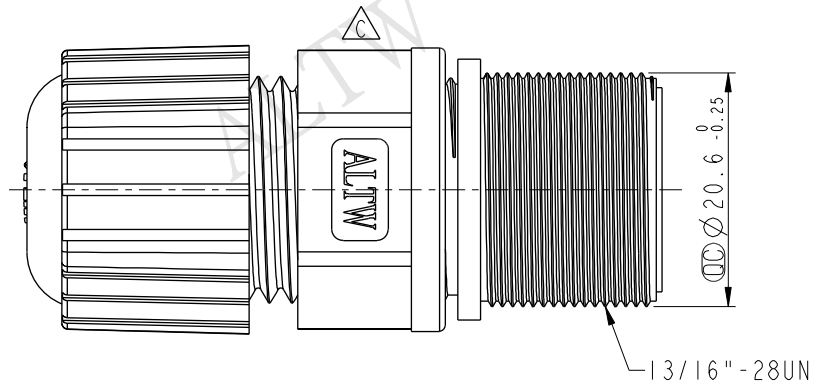
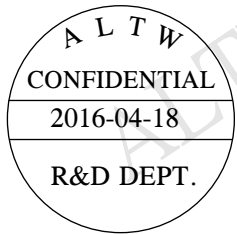


REV.	ECN NO.	DATE	SIGN	DESCRIPTION
B	LE3-940057	2009/04/14	Tommy	Add The Note
C	LEN1640313	2016/04/18	Vicky	Update Logo



Pin Assignments
Front View

- Note:
- * \varnothing Important Dimension
 - * \triangle Waterproof Rate: IP68
In 1 meter water within 24 hours.
 - * Seals For Cable OD: \varnothing 5.0mm~ \varnothing 10.8mm
(防水墊圈線徑)
 - * One Set Unassembly In One PE Bag
每一組未組裝放至於一個PE袋並封上

UNIT:mm		
TOLERANCE	.X ±0.25	
	.XX ±0.1	
	.XXX ±0.05	
ANGLES	±1°	

TITLE USB B Type Male Connector Assembly			
SCALE 3:2	SIZE A4	SHEET 1 OF 1	
REV. C	WC-REV. A.3	\varnothing : Inspection item	

Amphenol LTW
安費諾亮泰企業股份有限公司

ITEM NO. UB-20BMFA-SL8001	DRAWN BY Vicky	DATE 2016-04-18
DWG NO. UB-20BMFA-SL8001	CHECKED BY Rita	DATE 2016-04-18
CUSTOMER ALTW	APPROVED BY Lisa	DATE 2016-04-18

THIS DOCUMENT IS SUBJECT TO CHANGE WITHOUT NOTICE. IT IS CONFIDENTIAL AND A PROPERTY OF AMPHENOL LTW. DISCLOSURE TO THIRD PARTY HAS TO BE AUTHORIZED BY AMPHENOL LTW.