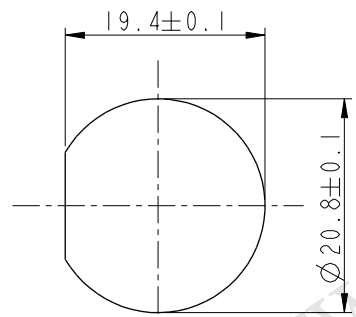
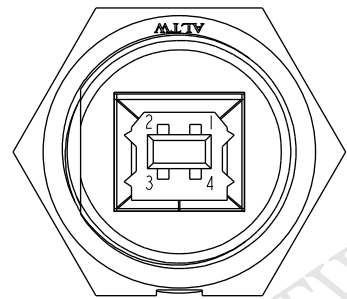


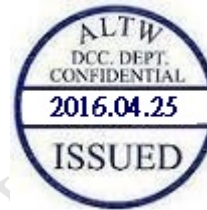
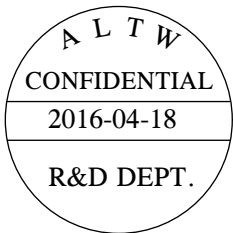
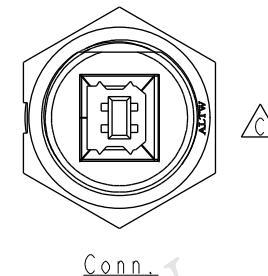
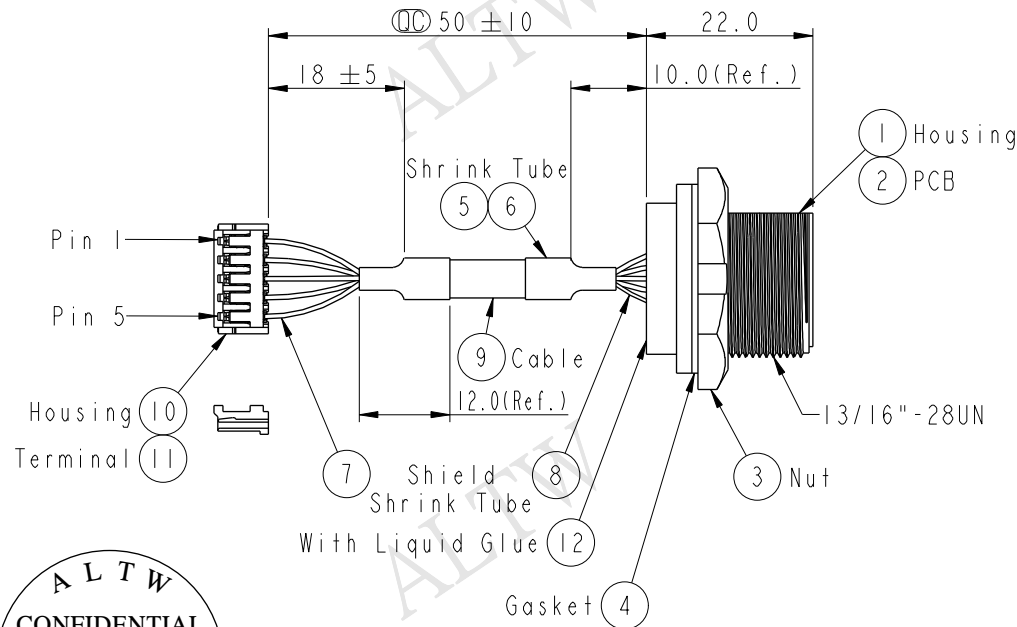
REV.	ECN NO.	DATE	SIGN	DESCRIPTION
B	LEN-7B0143	2007/11/15	Gao Ling	Modify Panel Thickness
C	LEN1640315	2016/04/18	Vicky	Update Logo



Recommended Panel Cut-Out



Pin Assignments Front View



5	Drain	地線	Shield
4	Black	24AWG 黑	4
3	Green	28AWG 綠	3
2	White	28AWG 白	2
1	Red	24AWG 紅	1
Housing	Wire Color		Conn.

Pin Out

Note:

- * CC Important Dimension
- * Housing: ABS 94V-0, Black
- * Nut: Nylon+GF, Black
- * Gasket: EPDM, Black
- * PCB: FR-4, T=1.6mm
- * Hosing: Nylon, PH=2.50mm
- * Terminal: Female Pin, Tin Plated
- * Cable: 1P*28#+2C*24#+AL+MY+D+B, OD=5.0mm
- $\triangle B$ * Use with waterproof cap or dust cap For Panel Thickness Max: 2.8mm
- $\triangle B$ * Use without waterproof cap or dust cap For Panel Thickness Max: 4.0mm

UNIT:mm

TOLERANCE	
.X	±0.25
.XX	±0.1
.XXX	±0.05
ANGLES	±1°

TITLE USB With Harness Panel Screw M Conn F Pin			
SCALE 1:1	SIZE A4	SHEET 1 OF 1	
REV. C	WC-REV. A.4	CC : Inspection item	

Amphenol LTW
安費諾亮泰企業股份有限公司

ITEM NO UB-20PMFP-SC8003	DRAWN BY Vicky	DATE 2016-04-18
DWG NO UB-20PMFP-SC8003	CHECKED BY Rita	DATE 2016-04-18
CUSTOMER ALTW	APPROVED BY Lisa	DATE 2016-04-18

THIS DOCUMENT IS SUBJECT TO CHANGE WITHOUT NOTICE. IT IS CONFIDENTIAL AND A PROPERTY OF Amphenol LTW. DISCLOSURE TO THIRD PARTY HAS TO BE AUTHORIZED BY Amphenol LTW.