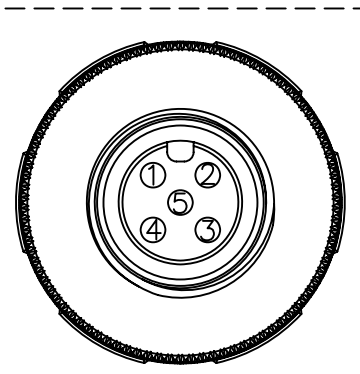
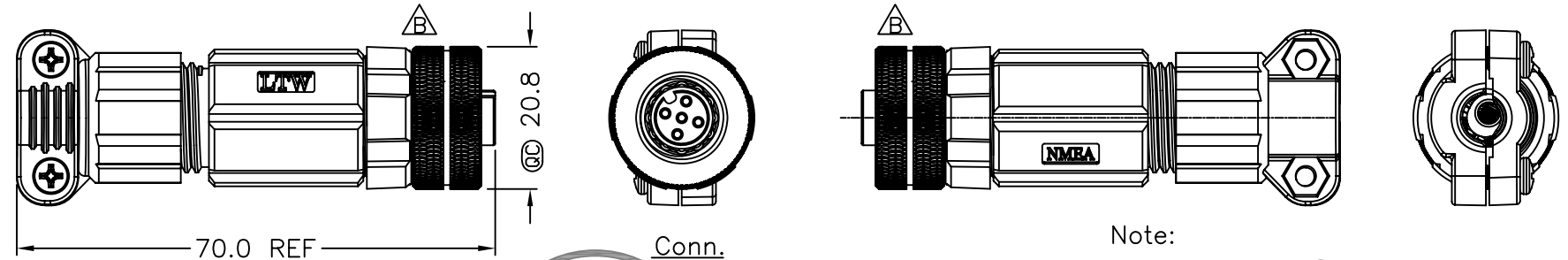
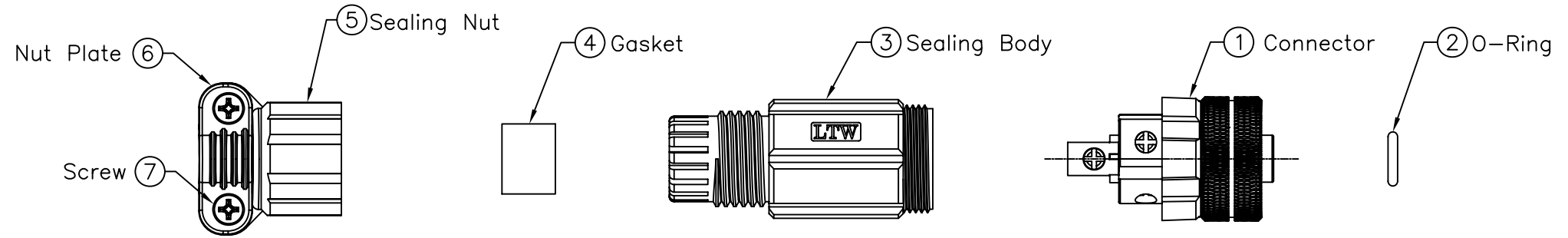


REV.	ECN NO.	DATE	SIGN	DESCRIPTION
A	Initial Release	2010/11/29	Doreen	Change REV.01 to REV.A
B	LEN1160061	2011/04/18	Doreen	Change View

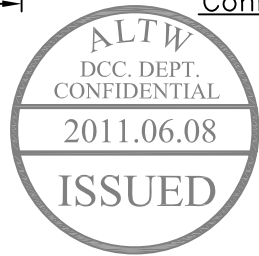
THIS DOCUMENT IS SUBJECT TO CHANGE WITHOUT NOTICE. IT IS CONFIDENTIAL AND A PROPERTY OF Amphenol LTW. DISCLOSE TO THIRD PARTY HAS TO BE AUTHORIZED BY Amphenol LTW.



Pin Assignments
Front View

Pin	Conn. Name	Pair	Wire Color	For User
5	NET-L	Signal	Blue 藍	(24AWG)
4	NET-H	Signal	White 白	(24AWG)
3	NET-C	Power	Black 黑	(22AWG)
2	NET-S	Power	Red 紅	(22AWG)
1	Shield	Drain	Bare	(22AWG)

Pin Out



Note:

- * Ⓞ Important Dimension.
- * Waterproof Rate : IP67
- * Connector: PPE, Black
- * Pin: Copper Alloy, Gold Plated
- * O-Ring 1&2: Silicone, Gray
- * Holder: Nylon+GF, Black
- * Insulator: PVC, Black
- * Clamp Ring: Nylon, Black
- * Gasket: Silicone, Gray
- * Sealing Nut: Nylon+GF, Black
- * Nut: Copper Alloy, Nickel Plated
- * Seals For Cable OD $\phi 4.5\text{mm} \sim \phi 7.5\text{mm}$
- * Temperature Range: $-20^{\circ}\text{C} \sim 70^{\circ}\text{C}$.

UNIT:mm	
TOLERANCE	
.X	± 0.25
.XX	± 0.1
.XXX	± 0.05
ANGLES	$\pm 1^{\circ}$

TITLE NMEA 2000 Micro-screw in , Female Conn Female Pin	
SCALE Free	SHEET 1 OF 1
REV. B	SIZE A4
Ⓞ : Inspection Item	

Amphenol LTW
安費諾亮泰企業股份有限公司

ITEM NO LTWUMC-05BFFB-SL7001	DRAWN BY Doreen	DATE 2011/04/18
DWG NO LTWUMC-05BFFB-SL7001	CHECKED BY Winnie	DATE 2011/04/18
CUSTOMER	APPROVED BY Kevin	DATE 2011/04/18

DATE 2011/04/18
DATE 2011/04/18
DATE 2011/04/18