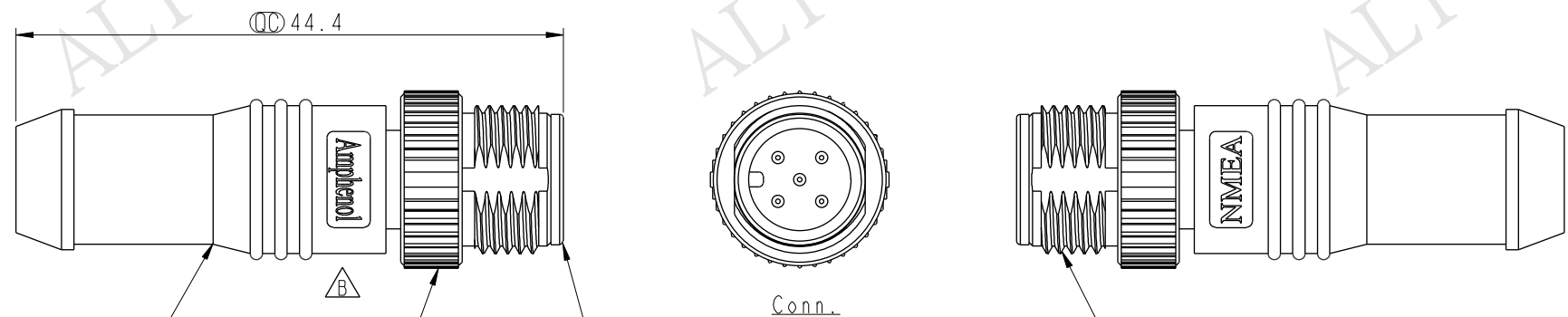


THIS DOCUMENT IS SUBJECT TO CHANGE WITHOUT NOTICE. IT IS CONFIDENTIAL AND A PROPERTY OF Amphenol LTW. DISCLOSURE TO THIRD PARTY HAS TO BE AUTHORIZED BY Amphenol LTW.

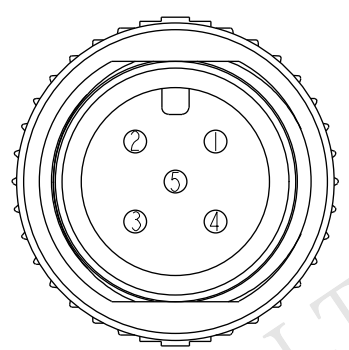
REV.	ECN NO.	DATE	SIGN	DESCRIPTION
A	Initial Release	2009/07/09	Doreen	Change REV.02 to REV.A
B	LEN15C0344	2015/12/09	Ruru	Change Logo LTW To Amphenol



Inner Mold (4)
 Outer Mold (5)
 Color: Black

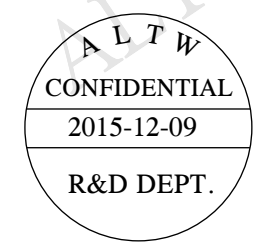
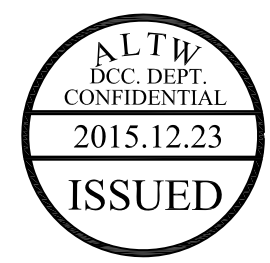
Nut (2)

(1) Connector
 (3) Resistor



Pin Assignments
Front View

Resistor	5	
	4	
N/A	3	
N/A	2	
N/A	1	
Wire Color	Conn.	
Pin Out		



Note:
 * \varnothing Important Dimension.
 * Waterproof Rate: IP68
 * Connector: PU, Black
 * Male Pin: Copper Alloy, Gold Plated
 * Resistor: 1/4, 120 Ω , 5% Resistance, Molded Inside The Connector.

UNIT:mm TOLERANCE $\pm 0.5\text{mm}$	TITLE M12 Male Conn. Male Pin, No Cable, With Resistor		Amphenol LTW 安費諾亮泰企業股份有限公司		ITEM NO UMC-05BMMT-SL8001	DRAWN BY Ruru	DATE 2015-12-09
	SCALE 2:1	SIZE A4			SHEET 1	OF 1	DWG NO UMC-05BMMT-SL8001
REV. B	WC-REV. A.2	\varnothing : Inspection item		CUSTOMER ALTW	APPROVED BY Lisa	DATE 2015-12-09	