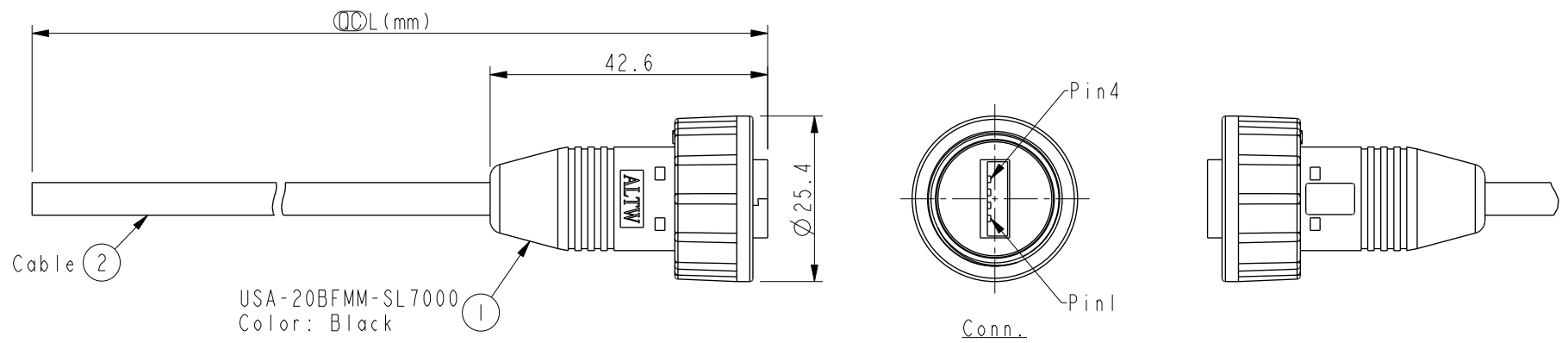


THIS DOCUMENT IS SUBJECT TO CHANGE WITHOUT NOTICE. IT IS CONFIDENTIAL AND A PROPERTY OF Amphenol LTW. DISCLOSURE TO THIRD PARTY HAS TO BE AUTHORIZED BY Amphenol LTW.

REV.	ECN NO.	DATE	SIGN	DESCRIPTION
A		2020-12-09	Allen Pan	Rec.02 To Rev.A



USA-20BFMM-SL7AXX
 XX: 01~05Meters
 01: 01Meter
 02: 02Meters
 ...
 05: 05Meters

- Notes:
- * \varnothing Important Dimension.
 - * Waterproof Rate: IP67.
 - * Connector: USB2.0-A Male Solder, Gold Plated.
 - * Gasket: Rubber, Black.
 - * Nut: Metal.
 - * Outer Mold: Thermoplastic, Black.
 - * Inner Mold: Thermoplastic, Original.
 - * Cable: USB 2.0, 28#*1P+24#*2C+AL/MY+D+B, PVC Jacket, UV Resistant, Black, OD=5.0mm.
 - * Cable Length Tolerance:
 01M: +50/-0mm.
 02~03M: +100/-0mm.
 04~05M: +150/-0mm.

Drain (28AWG) 地線	Shield
Black (24AWG) 黑	4
Green (28AWG) 綠	3
White (28AWG) 白	2
Red (24AWG) 紅	1
Wire Color	Conn.
Pin Out	

Twist 對線

UNIT:mm		TITLE
TOLERANCE	± 0.5 mm	USB, A TYPE SHLD, 2.0, CABLE SCREW F CONN M PIN
SCALE	1:1	SIZE
REV.	A	WC-REV.
		A.1
		\varnothing : Inspection item

Amphenol LTW
 安費諾亮泰企業股份有限公司

ITEM NO	DRAWN BY	DATE
DWG NO	ALLEN PAN	2020-12-09
CUSTOMER	CHECKED BY	DATE
ALTW	SAM HO	2020-12-09
	APPROVED BY	DATE
	FRED LEE	2020-12-09